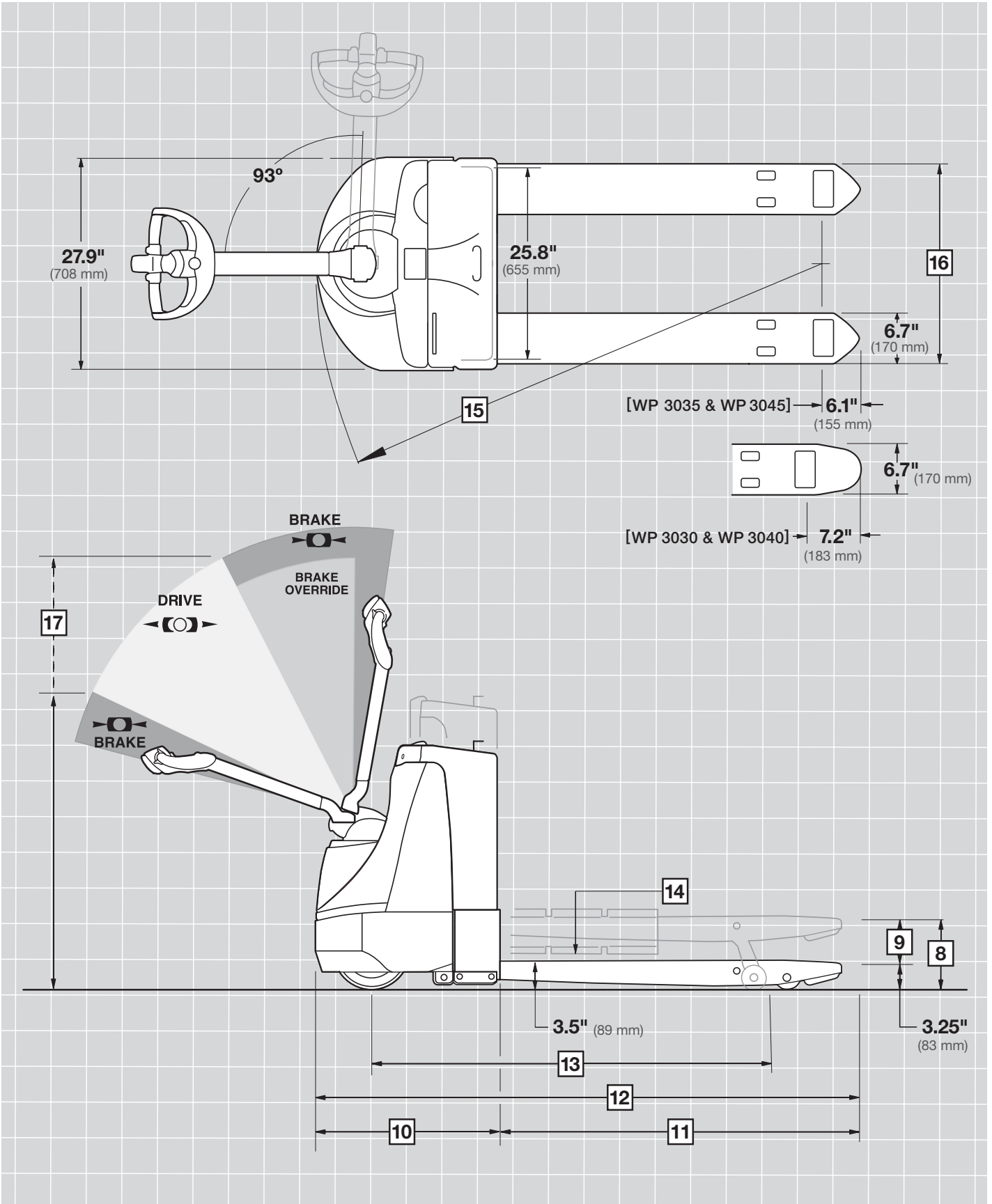


CROWN

WP 3000 SERIES

Specifications
Walkie Pallet Truck





WP 3000 Series

			Imperial	Metric	Imperial	Metric			
General	1	Manufacturer	Crown Equipment Corporation						
	2	Model	WP 3030		WP 3035				
	3	Load Capacity	lb	kg	4500	2020	4500	2020	
	4	Power	Electric		24 Volts		24 Volts		
	5	Operator Type	Stand-up		Walkie		Walkie		
Dimensions	8	Lift Height	in mm		9.25	235	8.5	215	
	9	Lift	in mm		6	150	5.2	130	
		Battery Compartment	Length	in mm		7.9	202	7.9	202
	10	Head Length	in mm		23.2	590	23.2	590	
	16	Outside Fork Spread	in mm		18.1/21.3/26.4	460/540/670	18.1/21.3/26.4	460/540/670	
	17	Tiller Arm Height in Drive Position	Min/Max	in mm		31.1/47.5	790/1210	31.1/47.5	790/1210
18	Travel Speed	Empty	mph	km/h	3.7	5.9	3.7	5.9	
		Loaded	mph	km/h	3.5	5.6	3.5	5.6	
Forks		Nominal Fork Length	in mm		36/42/48	915/1065/1220	36/42/48	915/1065/1220	
	11	Actual Fork Length	in mm		35.6/41.7/47.6	905/1060/1210	33.6/39.7/45.6	855/1010/1160	
	12	Overall Length	in mm		58.8/65.0/70.9	1485/1650/1800	56.8/62.9/68.8	1445/1600/1750	
	13	Wheel Base	Lowered	in mm		44.2/50.3/56.2	1125/1280/1425	43.3/49.4/55.3	1100/1255/1405
			Raised	in mm		39.6/45.7/51.7	1005/1160/1315	40.2/46.3/52.2	1020/1175/1325
	14	Grade Clearance	Raised	%		52.7/44.5/38.7	52.7/44.5/38.7	45.6/37.4/31.6	45.6/37.4/31.6
			Gradeability	Loaded	%		10		10
15	Turning Radius	Lowered	in mm		51.6/57.7/63.6	1310/1465/1615	50.7/56.8/62.7	1290/1445/1595	
7	Truck Weight*	Less Battery	lb	kg	715	325	715	325	

			Imperial	Metric	Imperial	Metric			
General	1	Manufacturer	Crown Equipment Corporation						
	2	Model	WP 3040		WP 3045				
	3	Load Capacity	lb	kg	4500	2020	4500	2020	
	4	Power	Electric		24 Volts		24 Volts		
	5	Operator Type	Stand-up		Walkie		Walkie		
Dimensions	8	Lift Height	in mm		9.25	235	8.5	215	
	9	Lift	in mm		6	150	5.2	130	
		Battery Compartment	Length	in mm		9.1	232	9.1	232
	10	Head Length	in mm		24.4	620	24.4	620	
	16	Outside Fork Spread	in mm		18.1/21.3/26.4	460/540/670	18.1/21.3/26.4	460/540/670	
	17	Tiller Arm Height in Drive Position	Min/Max	in mm		31.1/47.5	790/1210	31.1/47.5	790/1210
18	Travel Speed	Empty	mph	km/h	3.7	5.9	3.7	5.9	
		Loaded	mph	km/h	3.5	5.6	3.5	5.6	
Forks		Nominal Fork Length	in mm		36/42/48	915/1065/1220	36/42/48	915/1065/1220	
	11	Actual Fork Length	in mm		35.6/41.7/47.6	905/1060/1210	33.6/39.7/45.6	855/1010/1160	
	12	Overall Length	in mm		60.0/66.1/72.0	1525/1680/1830	58.0/64.1/70.0	1475/1630/1780	
	13	Wheel Base	Lowered	in mm		45.4/51.5/57.4	1155/1310/1460	44.5/50.6/56.5	1130/1285/1435
			Raised	in mm		40.8/46.9/52.8	1035/1190/1340	41.4/47.5/53.4	1050/1205/1355
	14	Grade Clearance	Raised	%		50.9/43.2/37.8	50.9/43.2/37.8	43.7/36.0/30.6	43.7/36.0/30.6
			Gradeability	Loaded	%		10		10
15	Turning Radius	Lowered	in mm		52.8/58.9/64.8	1345/1500/1650	51.9/58.0/63.9	1320/1475/1625	
7	Truck Weight*	Less Battery	lb	kg	715	325	715	325	

*With 48" (1220 mm) forks

Standard Equipment

1. 24-volt fused electrical system
2. MOSFET transistorized traction control, closed loop system
3. CAN communication link
4. AC drive motor
5. e-GEN® braking system
6. Electric parking brake
7. X10® Handle with brake override
8. Curtis Display includes hour meter, discharge indicator with lift lockout and fault code readout
9. Ramp hold
10. Heavy-duty drive unit
11. Drive unit enclosed in high ductile strength steel frame
12. Stamped steel power unit cover
13. Safety reversing button
14. Roll formed forks with pull rod height adjustment
15. SB 175 amp gray connector with quick disconnect
16. Two pre-programmed performance levels
17. 10" x 4" (254 mm x 102 mm) wide rubber drive tire
18. 3.25" x 4.5" (83 mm x 114 mm) wide vulkollan load wheels with debris guard
19. Low overall height for fork and load visibility
20. Dual lift cylinders and torsion bar
21. Skid bars
22. Fork tip indicators
23. Horn
24. Key switch

Optional Equipment

1. Maintenance-free, wet cell or dry cell battery package
2. Battery straps
3. 30 amp fully automatic sealed charger
4. SB 175 red battery connector
5. Spring loaded casters
6. Drive tire options
7. Travel alarm (Forward, Reverse or Both)
8. Freezer conditioning
9. 48" (1220 mm), 60" (1525 mm) or 72" (1830 mm) high load backrest
10. Keyless on-off toggle in lieu of key switch
11. Drive/tow switch

12. Work Assist® Accessories
13. InfoLink® Ready
14. Handset analyzer for calibration or fault analyzing

Battery and Charger

Two battery compartments are available to suit your duty cycle.

The 7.9" (202 mm) battery compartment (WP 3030/WP 3035) is designed for the battery package and includes an extension cord holder.

Battery package options are as follows:

- Maintenance-free battery pack, four 6-volt batteries at 195 amp hour
- Wet-cell non-swing out battery pack, four 6-volt batteries at 160 amp hour
- Dry-cell non-swing-out battery pack, four 6-volt batteries at 160 amp hour

An optional swing-out battery tree is available for the wet-cell and dry-cell battery packs. The optional nylon battery straps secure batteries to the stand to minimize vibration in rough floor or over dock applications, reducing potential damage to the batteries and the stand.

The 9.1" (232 mm) battery compartment (WP 3040/WP 3045) will accept an industrial storage battery up to 300 amp hour capacity.

A built-in 30 amp sealed charger is available as an option on all models. This premium solid-state charger is durable and efficient. The sealed unit eliminates problems or failures related to contamination or moisture. It has an advanced memory feature to allow for opportunity charging. The charger can be set for either maintenance-free, wet-cell or industrial batteries. An extension cord is included with any truck equipped with the built-in battery charger.

Operator Controls

The WP's robust X10® control handle is designed to allow for an optimum turning radius with low steer effort. All control buttons can be operated with either hand and can be accessed with minimum hand and wrist movement. The horn buttons are integrated in the hand grips. An ergonomic forward/reverse thumb wheel allows for precise maneuvering. A rabbit/turtle switch allows operators to

select the maximum travel speed in order to match the operating conditions. The e-GEN braking system is activated when the forward/reverse thumb wheel is returned to neutral, during plugging or whenever the tiller is positioned in the upper or lower braking position. Brake rate is adjustable with handset.

WP 3000 Brake Override Function

For easy operation in tight areas a brake override function is incorporated which allows the WP 3000 to be driven safely and precisely at creep speed with the handle in a near vertical position. The control handle remains within the profile of the power unit at all times, even when performing 90° turn.

When the forward/reverse thumb wheel is in neutral and tire rotation stops the parking brake is immediately activated thus preventing unexpected movement.

Performance

The WP 3000 benefits from Crown's design and engineering excellence.

The transistor control module works in conjunction with the AC drive motor to provide responsive acceleration and precise control. The excellent acceleration enhances efficient pallet entry and exit to increase productivity. Transistor control is programmable for specific tasks or operator skill levels.

Smooth travel and lift combine with excellent controls to reduce product damage and increase productivity.

Electrical System

A heavy-duty 24-volt fused electrical system provides optimum travel and lift speeds.

The transistor control is sealed from dirt, dust and moisture for trouble-free operation. Transistor control features include over-temperature protection, polarity protection, self-test and visible diagnostics.

e-GEN braking is activated under a downhill condition, during plugging or when the directional control is returned to neutral. "Regen" reduces heat build-up in the motor.

A ramp hold feature activates e-GEN braking to minimize the possibility of unexpected reverse travel on an incline when no travel command is provided.

175-amp battery connector with standard disconnect handle.

Hydraulic System

Heavy-duty 4" (102 mm) diameter hydraulic motor with integral pump and reservoir for maximum efficiency and durability.

Twin, hard-chromed lift cylinders provide improved load stability. Additionally, smaller twin lift cylinders reduce truck length, improving maneuverability.

Hydraulic lines, fittings and elbow connections are minimized to reduce heat from hydraulic oil flow and improve efficiency.

At full lift, a top of stroke cutout switch shuts the lift motor off, which saves energy and prevents motor overheating.

The totally enclosed system is protected by pressure, suction and return line filtration. A convenient fill plug allows for easy fluid level checks.

Drive Unit and Brakes

Crown manufactured drive unit is built to exacting tolerances for low noise emission. A rugged helical gear set delivers trouble free operation and long life.

Drive unit is equipped with an electromagnetic parking brake that is spring applied and electrically released. The park brake is only activated when the thumb wheel is returned to neutral and no tire movement is sensed, so rotor and disc life is extended. Park brake components are easily accessed for inspection and replacement.

The e-GEN braking system utilizes the controller and AC motor to deliver the optimum level of braking based on inputs.

Drive unit mounts in truck frame with a permanently lubricated, twin conical roller bearing that disperses load forces evenly, reducing maintenance and downtime.

Forks

The WP 3000 has two fork styles to suit the application.

The Crown “profiled fork” provides 5.26" (130 mm) of lift and offers tapered fork tips with shorter lengths and wheelbase to improve the turning radius and facilitate load handling in tighter areas. The fork tips are angled down so initial entry is improved.

The other fork design has 6" (150 mm) of lift with a conventional fork tip and comes in 36", 42" and 48" (915 mm, 1065 mm and 1220 mm) lengths. Both fork styles are available with 18", 22" or 27" (455 mm, 560 mm and 685 mm) fork spreads.

All pivot points have Teflon-impregnated, bronze, steel-backed bushings. In addition, each pivot point is provided with a grease fitting to flush out dirt and moisture, reducing downtime and providing increased service life.

Serviceability

One piece steel power unit cover is removed easily for access to all major components.

Fork adjustment is done easily using the threaded pull rod.

Location of the park brake simplifies inspection and component replacement.

The AC drive motor is brushless so inspection and replacement of brushes is eliminated.

A CAN communication link between the controller, control handle and display greatly simplifies wiring while improving diagnostics.

Color-coded wiring, a display with fault code readout and a controller with visible LED flashes for fault communication speeds troubleshooting. Optional plug-in analyzer for servicing and programming capability.

Control handle switch cap is easily removed to expose components.

InfoPoint® allows your technician to troubleshoot without complicated schematics, wiring diagrams or cumbersome service manuals for over 95 percent of your repairs. Simplicity is complete with InfoPoint® Quick Reference Guide, color component maps and "Information nuggets" located on the truck.

Wheels and Tires

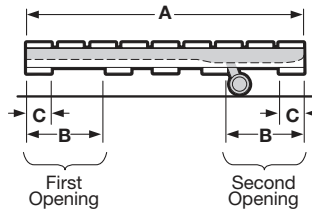
Drive tire - solid rubber
10" dia x 4" wide x 6.5" hub
(254 mm dia x 102 mm wide x 165 mm hub)

Load wheels - Vulkollan
3.25" dia x 4.5" wide
(83 mm dia x 114 mm wide)

Optional casters are
3.5" dia x 2" wide
(90 mm dia x 51 mm wide)

Pallet Planning Guide

On WP 3000 models the load wheel will drop into the second opening of the pallet. When "A" dimension equals nominal fork length, "C" dimension is 6" (150 mm) maximum and "B" is 14" (355 mm) minimum.



Other Options

1. Audible travel alarm
2. Flashing lights

Safety considerations and dangers associated with audible travel alarms and flashing lights include:

- Multiple alarms and/or lights can cause confusion.
- Workers ignore the alarms and/or lights after day-in and day-out exposure.
- Operator may transfer the responsibility for "looking out" to the pedestrians.
- Annoys operators and pedestrians.

Other Options Available

Contact your local Crown dealer.

Dimensions and performance data given may vary due to manufacturing tolerances. Performance is based on an average size vehicle and is affected by weight, condition of truck, how it is equipped and the conditions of the operating area. Crown products and specifications are subject to change without notice.



Crown Equipment Corporation
New Bremen, Ohio 45869 USA
Tel 419-629-2311
Fax 419-629-3796
crown.com

You can count on Crown to build lift trucks designed for safe operation, but that's only part of the safety equation. Crown encourages safe operating practices through ongoing operator training, safety-focused supervision, maintenance and a safe working environment. Go to crown.com and view our safety section to learn more.

Because Crown is continually improving its products, specifications are subject to change without notice.

Crown, the Crown logo, the color beige, the Momentum symbol, InfoLink, Work Assist, InfoPoint, e-GEN and X10 Handle are trademarks of Crown Equipment Corporation.

Copyright 2004-2012 Crown Equipment Corporation
SF14424 Rev. 3/12
Printed in U.S.A.