

UNICARRIERS[®]

FORKLIFT

Engine Powered Forklifts

Diesel

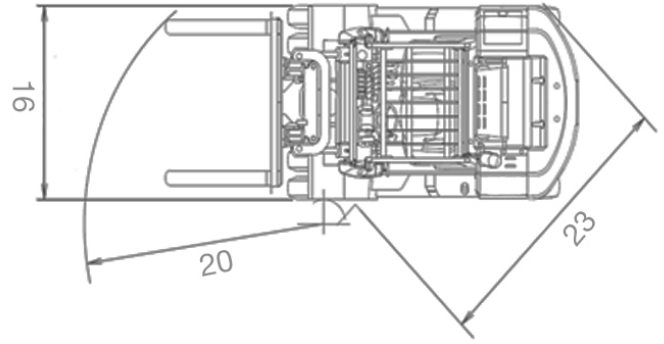
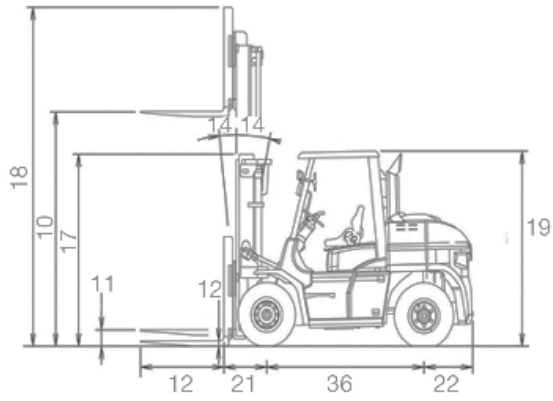
13,000 / 15,500 / 17,500 / 22,000 lbs. Capacities | Pneumatic Tire



P D 6 Series SPECIFICATIONS

MAIN TRUCK SPECIFICATIONS						
CHARACTERISTICS	1		UNICARRIERS			
	2		FD60-4L	FD60-4		
	3		PFD135L	PFD135		
CHARACTERISTICS	4	Load Capacity	lbs (kg)	13,000 (6000)	13,000 (6000)	
	5	Load Center	in (mm)	24 (600)	24 (600)	
	6	Power Type		Diesel	Diesel	
	7	Operator Position		Sit Down Rider Type	Sit Down Rider Type	
	8	Tire Type	Front / Rear	Pneumatic	Pneumatic	
	9	Wheels (x=driven)	Front / Rear	4x / 2	4x / 2	
	DIMENSIONS	10	Maximum fork height	in (mm)	118 (3000)	118 (3000)
		11	Free lift	in (mm)	8.1 (205)	8.1 (205)
		12	Fork Size	LxWxT	48.0x5.9x2.4 (1220x150x60)	48.0x5.9x2.4 (1220x150x60)
13		Fork Spread (outside)	Max/Min	72.0/11.8 (1830/300)	72.0/11.8 (1830/300)	
14		Tilt Angle	Fwd./Bkwd.	deg	6/12	
15		Length to fork face		in (mm)	141.1 (3585)	
16		Overall width		in (mm)	78.9 (2005)	
17		Mast Height Fork Lowered		in (mm)	98.4 (2500)	
18		Mast Height Fork Raised		in (mm)	174.0 (4420)	
19		Overall Height (overhead guard)		in (mm)	100.4 (2550)	
20		Turning Radius (outside)		in (mm)	133.9 (3400)	
21		Load Distance (Centerline of Front Axle to Front Face of Forks)		in (mm)	615 (24.2)	
22		Rear Overhang		in (mm)	670 (26.4)	
23	Basic Right Angle Stacking Aisle Width		in (mm)	5250 (206.7)		
PERFORMANCE	24	Speed	Travel Max	loaded/unloaded	km/h (mph)	
	25		Lifting	loaded/unloaded	mm/s(fpm)	
	26		Lowering	loaded/unloaded	mm/s(fpm)	
	27	Max Drawbar pull	Full/No Load		kN(klbs)	
	28	Max Gradeability*	Full Load (at 10mph)		%	
	29		No Load		%	
WEIGHT	30	Total Weight		lbs (kg)	18982 (8610)	
	31	Weight Distribution	Full Load	Front/Rear	lbs (kg)	
	32		No Load	Front/Rear	lbs (kg)	
CHASSIS & WHEELS	33	Tires	Number /	Front/Rear		
	34		Size	Front		
	35			Rear		
	36	Wheelbase			in (mm)	
	37	Tread		Front	in (mm)	
	38			Rear	in (mm)	
	39	Backrest Height			in (mm)	
	40	Overhead Guard Clearance			in (mm)	
	41	Counterweight Height			in (mm)	
	42	Drawbar Pin Center Height			in (mm)	
	43	Floor Height			in (mm)	
	44	Underclearance	Min. Full Load		in (mm)	
	45		Center of Wheelbase		in (mm)	
	46	Brake	Service (Foot)			
47		Parking				
DRIVE LINE	48	Battery	Voltage/Capacity(5HR)	V/AH	12/70x2	
	49	Internal Combustion	Make-Model		KUBOTA-V3800	
	50	Engine	Rated Output/rpm	Hp/rpm	74/2200 SAE GROSS	
	51			kW/rpm	55/2200 SAE GROSS	
	52			PS/rpm	74.3/2200 SAE GROSS	
	53		Max Torque/r.p.m	N-m/rpm	310/1500	
	54			kgf-m/rpm	31.7/1500	
	55			lb-ft/rpm	229/1500	
	56		Number of Cylinder		4	
	57		Displacement	lit(cu-in)	3.769 (230)	
	58		Alternator Output	Amp	115	
	59		Fuel Tank Capacity	lit(US gal)	150 (39.6)	
	60		Type		Automatic Power Shift	
61	Transmission	Stage-Fwd-Rvs.		2-2		
62	Operating Pressure	For attachments	MPa(psi)	20.6 (2988)		

MAST SPECIFICATIONS & RATED CAPACITIES / FD60

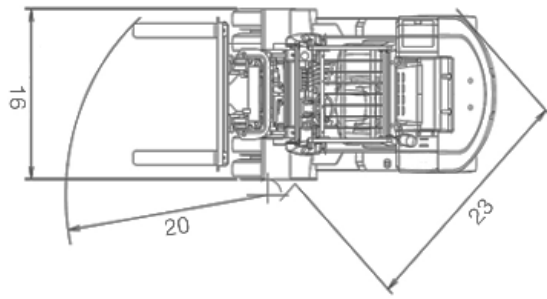
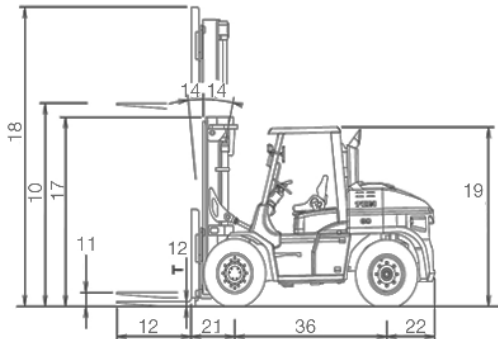


MAST SPECIFICATIONS & RATED CAPACITIES

VM - Wide View Mast	MAST MODEL	Load Capacity lbs (kg)	Max Fork Height in (mm)	Overall Mast Height Lowered in (mm)	Overall Mast Height Raised in (mm)	Tilting Angle F/B	Service Weight (Based on VM300) lbs (kg)
	VM300	13,230 (6,000)	118 (3,000)	98.5 (2,500)	174 (4,420)	6-12 (6-10)	0
	VM330	13,230 (6,000)	130 (3,300)	104.4 (2,650)	185.8 (4,720)	6-12 (6-10)	+110 (50)
	VM350	13,230 (6,000)	138 (3,500)	108.3 (2,750)	193.7 (4,920)	6-12 (6-10)	+176 (80)
	VM400	13,230 (6,000)	157 (4,000)	120.1 (3,050)	213.4 (5,420)	6-12 (6-10)	+595 (270)
	VM450	13,230 (6,000)	177 (4,500)	130 (3,300)	233.1 (5,920)	6-12 (6-10)	+794 (360)
	VM500	13,230 (6,000)	197 (5,000)	139.8 (3,550)	252.8 (6,420)	6-6	+948 (430)
	VM550	12,570 (5,700)	216 (5,500)	151.6 (3,850)	272.4 (6,920)	3-6	+1389 (630)
	VM600	11,910 (5,400)	236 (6,000)	161.5 (4,100)	292.1 (7,420)	3-6	+1566 (710)

MAIN TRUCK SPECIFICATIONS

				UNICARRIERS				
CHARACTERISTICS	1			FD70-4L	FD70-4	FD80-4	FD100-4	
	2			PFD155L	PFD155	PFD175	PFD220	
	3							
CHARACTERISTICS	4			15500 (7000)	15500 (7000)	17500 (8000)	22000 (10000)	
	5			24 (600)	24 (600)	24 (600)	24 (600)	
	6			Diesel	Diesel	Diesel	Diesel	
	7			Sit Down Rider Type	Sit Down Rider Type	Sit Down Rider Type	Sit Down Rider Type	
	8			Pneumatic	Pneumatic	Pneumatic	Pneumatic	
	9			4x /2	4x/2	4x/2	4x/2	
	10			118 (3000)	118 (3000)	118 (3000)	118 (3000)	
	11			8.5 (215)	8.5 (215)	8.1 (205)	8.1 (205)	
	12			1220x150x70 (48.0x5.9x2.8)	1220x150x70 (48.0x5.9x2.8)	220x180x75 (48.0x7.1x3.0)	220x180x75 (48.0x7.1x3.0)	
DIMENSIONS	13			1830/300 (72.0/11.8)	1830/300 (72.0/11.8)	2000/360 (75.0/14.1)	2145/405 (84.0/15.9)	
	14			6/12	6/12	6/12	6/12	
	15			143.9 (3655)	143.9 (3655)	158.5 (4025)	4265 (167.9)	
	16			78.9 (2005)	78.9 (2005)	85.6 (2175)	2245 (88.4)	
	17			98.4 (2500)	98.4 (2500)	110.2 (2800)	2850 (112.2)	
	18			174.0 (4420)	174.0 (4420)	174.0 (4420)	4330 (170.5)	
	19			100.4 (2550)	100.4 (2550)	104.7 (2660)	104.7 (2660)	
	20			136.2 (3460)	136.2 (3460)	146.1 (3710)	3950 (155.5)	
	21			24.6 (625)	24.6 (625)	28.3 (720)	715 (28.1)	
	22			28.7 (730)	28.7 (730)	31.7 (805)	750 (29.5)	
	23			210.6 (5350)	210.6 (5350)	222.4 (5650)	5900 (232.3)	
	PERFORMANCE	24			21 (13.0) / 25 (15.5)	25 (15.5) / 28 (17.4)	24 (14.9) / 28 (17.4)	24 (13) / 27 (16.8)
		25			395 (77.8) / 440 (86.6)	530 (104.3) / 550 (108.3)	440 (86.6) / 460 (90.6)	350 (68.9) / 370 (72.8)
26			450 (86.6) / 500 (98.4)	450 (86.6) / 500 (98.4)	450 (86.6) / 450 (88.6)	450 (88.6) / 350 (68.9)		
27			49 (21.6) / 11(4.9)	54.9 (21.6) / 12.3 (4.9)	59.8 (27.5) / 13.5 (6.2)	63.7 (31.4) / 14.3 (7.1)		
28			24	28	25	21		
29			20	20	20	20		
WEIGHT	30			18962 (8610)	21032 (9540)	25375 (11510)	28462 (12910)	
	31			32254 (14630) / 4079 (1850)	32276 (14640) / 4189 (1900)	38272 (17360) / 4740 (2150)	45548 (20660) / 4960 (2250)	
	32			8598 (3900) / 12302 (5580)	8620 (3910) / 12412 (5630)	11332 (5140) / 14044 (6370)	13184 (5980) / 15278 (6930)	
CHASSIS & WHEELS	33			4/2	4/2	4/2	4/2	
	34			8.25-15-14PR	8.25-15-14PR	9.00-20-14PR	9.00-20-14PR	
	35			8.25-15-14PR	8.25-15-14PR	9.00-20-14PR	9.00-20-14PR	
	36			90.6 (2300)	90.6 (2300)	98.4 (2500)	98.4 (2800)	
	37			57.9 (1470)	57.9 (1470)	63.0 (1600)	63.0 (1600)	
	38			66.9 (1700)	66.9 (1700)	66.9 (1700)	66.9 (1700)	
	39			53.5 (1360)	53.5 (1360)	53.3 (1355)	--	
	40			44.5 (1130)	44.5 (1130)	44.5 (1130)	44.5 (1130)	
	41			67.7 (1720)	67.7 (1720)	71.7 (1820)	71.7 (1820)	
	42			20.5 (520)	20.5 (520)	23.6 (600)	23.2 (590)	
	43			38.4 (975)	38.4 (975)	42.3 (1075)	42.3 (1075)	
	44			7.9 (200)	7.9 (200)	9.4 (240)	9.4 (240)	
	45			8.9 (225)	8.9 (225)	11.4 (290)	11.4 (290)	
	46			Hydraulic-Foot Pedal	Hydraulic-Foot Pedal	Hydraulic-Foot Pedal	Hydraulic-Foot Pedal	
	47			Mechanical-Hand lever	Mechanical-Hand lever	Mechanical-Hand lever	Mechanical-Hand lever	
DRIVE LINE	48			12/70x2	12/70x2	12/70x2	12/70x2	
	49			KUBOTA - V3800	KUBOTA - V3800	KUBOTA - V3800	KUBOTA - V3800	
	50			74/2200 SAE GROSS	111/2400 SAE GROSS	111/2400 SAE GROSS	111/2400 SAE GROSS	
	51			55/2200 SAE GROSS	83/2400 SAE GROSS	83/2400 SAE GROSS	83/2400 SAE GROSS	
	52			74.3/2200 SAE GROSS	112.8/2400 SAE GROSS	112.8/2400 SAE GROSS	112.8/2400 SAE GROSS	
	53			310 / 1500	385 / 1500	385 / 1500	385 / 1500	
	54			31.7 / 1500	39.3 / 1500	39.3 / 1500	39.3 / 1500	
	55			229 / 1500	284 / 1500	284 / 1500	284 / 1500	
	56			4	4	4	4	
	57			3.769 (230)	3.769 (230)	3.769 (230)	3.769 (230)	
	58			115	115	115	115	
	59			150 (39.6)	150 (39.6)	150 (39.6)	150 (39.6)	
	60			Automatic Power Shift	Automatic Power Shift	Automatic Power Shift	Automatic Power Shift	
	61			2-2	2-2	2-2	2-2	
	62			20.6 (2988)	20.6 (2988)	20.6 (2988)	20.6 (2988)	



MAST SPECIFICATIONS & RATED CAPACITIES / FD70

VM - Wide View Mast	Mast Model	Load Capacity lbs (kg)	Overall Mast Height in (mm)	Overall Mast Height Lowered in (mm)	Overall Mast Height Raised in (mm)	Tilting Angle F/B	Service Weight (Based on VM300) lbs (kg)
	VM300	15,435 (7000)	118 (3,000)	98.5 (2,500)	174 (4,420)	6-12 (6-10)	0
	VM330	15,435 (7000)	130 (3,300)	104.4 (2,650)	185.5 (4,720)	6-12 (6-10)	+110 (50)
	VM350	15,435 (7000)	138 (3,500)	108.3 (2,750)	193.7 (4,920)	6-12 (6-10)	+176 (80)
	VM400	15,435 (7000)	157 (4,000)	120.1 (3,050)	213.4 (5,420)	6-12 (6-10)	+595 (270)
	VM450	15,435 (7000)	177 (4,500)	130 (3,300)	233.1 (5,920)	6-12 (6-10)	+794 (360)
	VM500	15,435 (7000)	197 (5,000)	139.8 (3,550)	252.8 (6,420)	6-6	+948 (430)
	VM550	14,550 (6,600)	216 (5,500)	151.6 (3,850)	272.4 (6,920)	3-6	+1389 (630)
VM600	14,110 (6,400)	236 (6,000)	161.5 (4,100)	292.1 (7,420)	3-6	+1566 (710)	

MAST SPECIFICATIONS & RATED CAPACITIES / FD80

VM-Wide View Mast	Mast Model	Load Capacity lbs (kg)	Max Fork Height in (mm)	Overall Mast Height Lowered in (mm)	Overall Mast Height Raised in (mm)	Tilting Angle F/B	Service Weight (Based on VM300) lbs (kg)
	VM300	17,640 (8,000)	118 (3,000)	110.2 (2,800)	174 (4,420)	6-12	0
	VM330	17,640 (8,000)	130 (3,300)	116.1 (2,950)	185.8 (4,720)	6-12	+132 (60)
	VM350	17,640 (8,000)	138 (3,500)	120.1 (3,050)	193.7 (4,920)	6-12	+221 (100)
	VM400	17,640 (8,000)	157 (4,000)	131.9 (3,350)	213.4 (5,420)	6-12	+750 (340)
	VM450	17,640 (8,000)	177 (4,500)	141.7 (3,600)	233.1 (5,920)	6-12	+948 (430)
	VM500	17,090 (7,750)	197 (5,000)	151.6 (3,850)	252.8 (6,420)	6-6	+1147 (520)
	VM550	16,320 (7,400)	216 (5,500)	163.4 (4,150)	272.4 (6,920)	3-6	+1676 (760)
VM600	15,435 (7,000)	236 (6,000)	173.2 (4,400)	292.1 (7,420)	3-6	+1874 (850)	

MAST SPECIFICATIONS & RATED CAPACITIES / FD100

VM - Wide View Mast	Mast Model	Load Capacity lbs (kg)	Max. Fork Height in (mm)	Overall Mast Height Lowered in (mm)	Overall Mast Height Raised in (mm)	Tilting Angle F/B	Service Weight (Based on VM300) lbs (kg)
	VM300	22050 (10,000)	118 (3,000)	112.2 (2,850)	170.5 (4,330)	6-12	0
	VM330	22050 (10,000)	130 (3,300)	118.1 (3,000)	182.3 (4,630)	6-12	+132 (60)
	VM350	22050 (10,000)	138 (3,500)	122 (3,100)	190.2 (4,830)	6-12	+243 (110)
	VM400	22050 (10,000)	157 (4,000)	133.9 (3,400)	209.8 (5,330)	6-12	+794 (360)
	VM450	22050 (10,000)	177 (4,500)	143.7 (3,650)	229.5 (5,830)	6-12	+1014 (460)
	VM500	22050 (10,000)	197 (5,000)	153.5 (3,900)	249.2 (6,330)	6-6	+1257 (570)
	VM550	19,845 (9,000)	216 (5,500)	165.4 (4,200)	268.9 (6,830)	3-6	+1808 (820)
VM600	17,640 (8,000)	236 (6,000)	175.2 (4,450)	288.6 (7,330)	3-6	+2029 (920)	

UniCarriers® is a registered trademark of UniCarriers Corporation. UniCarriers Americas Corporation reserves the right to make product changes relating to colors, equipment, specifications or available options without notice. For more information, contact your UniCarriers representative.

