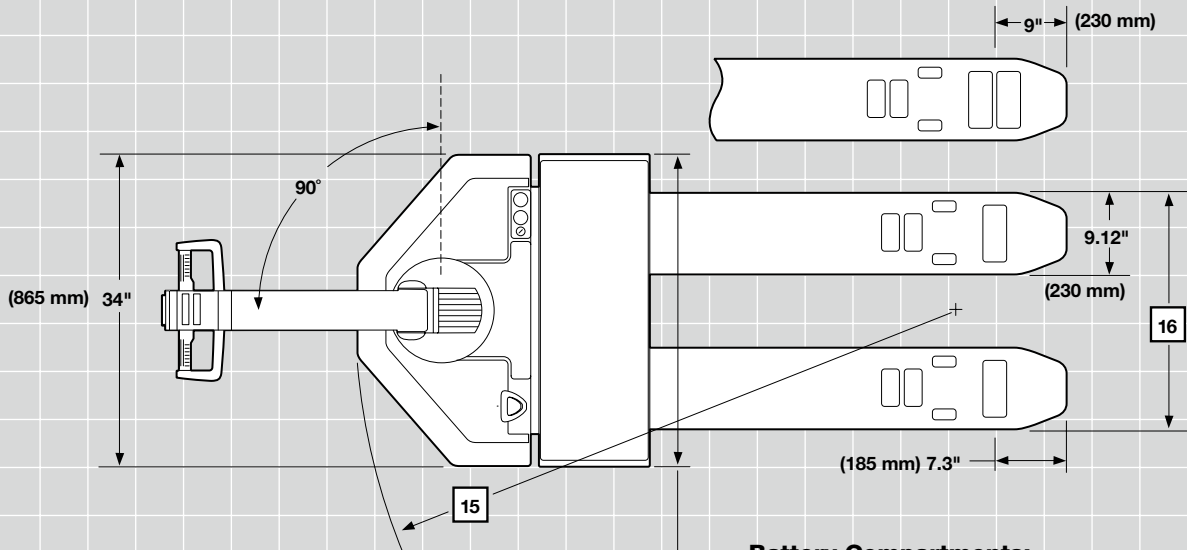


CROWN

PW 3500 SERIES

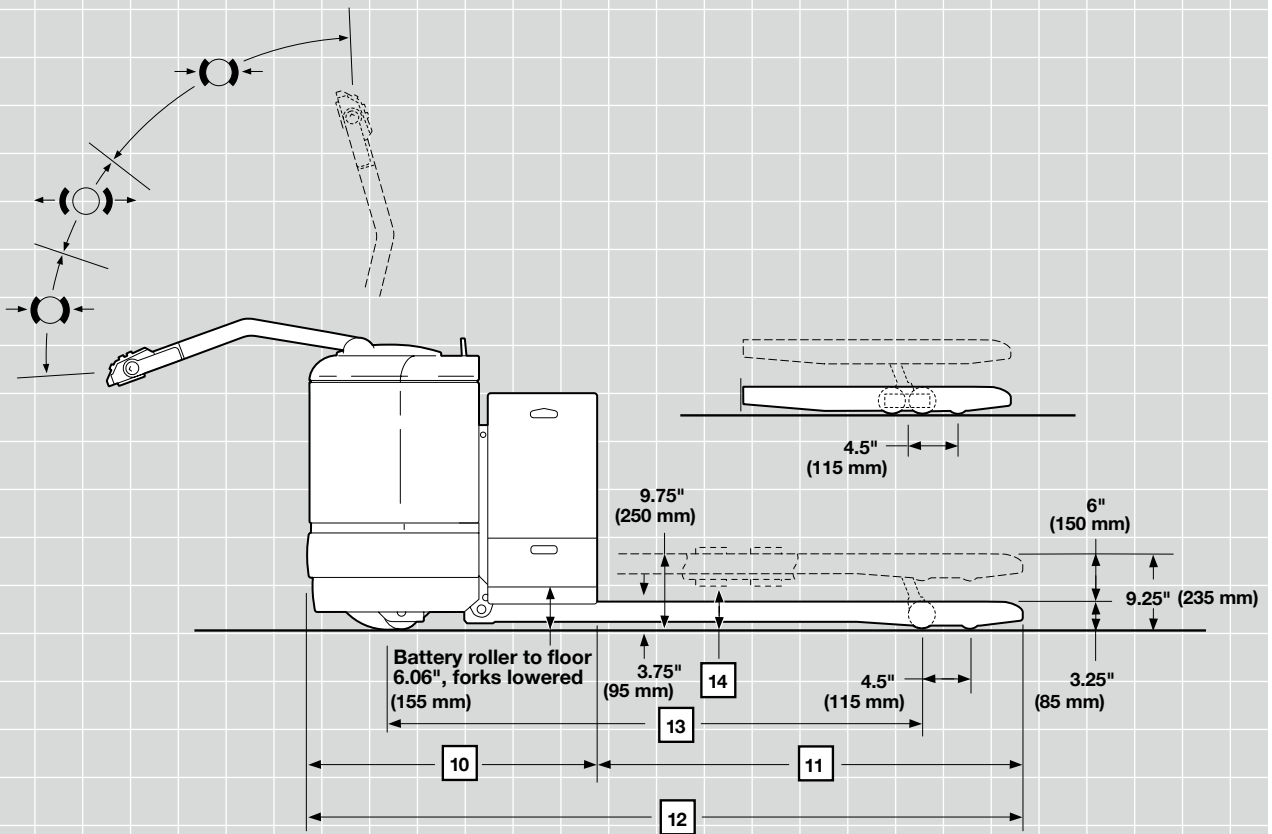
Specifications
Walkie Pallet Truck





Battery Compartments:

PW 3510		33.75"	(855 mm)
PW 3520	Option 1	37.06"	(940 mm)
	Option 2	33.75"	(855 mm)



Forks	PW 3500 Series			Standard-Tip Forks					
				Imperial	Metric	Imperial	Metric	Imperial	Metric
		Nominal Fork Length		in mm	36	915	42	1065	48
11	Actual Fork Length		in mm	35.75	910	41.75	1060	47.75	1210
12	Overall Length		PW 3510 in mm	66.19	1680	72.19	1835	78.19	1985
		Option 1	PW 3520 in mm	64.94	1650	70.94	1800	76.94	1955
		Option 2	PW 3520 in mm	71.44	1815	77.44	1965	83.44	2120
13	Wheelbase – Forks Raised		PW 3510 in mm	44.38	1130	50.38	1280	56.38	1430
		Option 1	PW 3520 in mm	43.12	1095	49.12	1250	55.12	1400
		Option 2	PW 3520 in mm	49.62	1260	55.62	1415	61.62	1565
14	Grade Clearance – Forks Raised		PW 3510 %	42	42	37	37	33	33
		Option 1	PW 3520 %	44	44	38	38	34	34
		Option 2	PW 3520 %	38	38	33	33	30	30
15	Turning Radius – Forks Raised		PW 3510 in mm	54.60	1385	60.57	1540	66.56	1690
		Option 1	PW 3520 in mm	53.35	1355	59.32	1505	65.31	1660
		Option 2	PW 3520 in mm	59.83	1520	65.31	1660	71.79	1825
7	Truck Weight without Battery	6000 lb (2720 kg)	lb kg	1310	590	1326	600	1342	610
		8000 lb (3630 kg)	lb kg	1329	600	1353	610	1377	620

Forks	PW 3500 Series			Standard-Tip Forks					
				Imperial	Metric	Imperial	Metric	Imperial	Metric
		Nominal Fork Length		in mm	54	1370	60	1525	96
11	Actual Fork Length		in mm	53.75	1365	59.75	1520	95.75	2430
12	Overall Length		PW 3510 in mm	84.19	2140	90.19	2290	126.19	3205
		Option 1	PW 3520 in mm	82.94	2105	88.94	2260	124.94	3170
		Option 2	PW 3520 in mm	89.44	2270	95.44	2425	131.44	3340
13	Wheelbase – Forks Raised		PW 3510 in mm	62.38	1585	68.38	1735	104.38	2650
		Option 1	PW 3520 in mm	61.12	1550	67.12	1705	103.12	2620
		Option 2	PW 3520 in mm	67.62	1720	73.62	1870	109.62	2785
14	Grade Clearance – Forks Raised		PW 3510 %	29	29	27	27	18	18
		Option 1	PW 3520 %	30	30	27	27	18	18
		Option 2	PW 3520 %	27	27	25	25	17	17
15	Turning Radius – Forks Raised		PW 3510 in mm	72.54	1845	78.53	1995	114.53	2910
		Option 1	PW 3520 in mm	71.30	1810	77.28	1965	113.28	2875
		Option 2	PW 3520 in mm	77.78	1975	83.77	2130	119.77	3040
7	Truck Weight without Battery	6000 lb (2720 kg)	lb kg	1358	620	1381	630	1483	3270
		8000 lb (3630 kg)	lb kg	1401	640	1432	650	1582	3485

PW 3500 Series			Imperial	Metric	Imperial	Metric		
General Info	1	Manufacturer	Crown Equipment Corporation					
	2	Model	PW 3510		PW 3520			
	3	Load Capacity	lb	kg	6000	2720	6000 / 8000	2720 / 3630
	4	Power	Electric		12 Volts		24 Volts	
	5	Operator Type	Stand-up		Walkie			
Dimensions	8	Lift Height		in mm	9.25	235	9.25	235
	9	Lift		in mm	6	150	6	150
	10	Head Length	Option 1 / Option 2	in mm	30.44	775	29.19 / 35.69	740 / 905
	16	Outside Fork Spread	Standard Tip	in mm	22 / 27	560 / 685	22 / 27	560 / 685
Performance	17	Speed Travel	Empty	mph km/h	3.3	5.3	3.4	5.5
			4000 lb (1814 kg)	mph km/h	2.8	4.5	3.0	4.8
			6000 lb (2720 kg)	mph km/h	2.4	3.9	2.8	4.5
			8000 lb (3630 kg)	mph km/h	na	na	2.6	4.2

PW 3500 Series		Imperial	Metric	
Wheels and Tires	Model	PW 3510-60		
	Drive Tire	in mm	13.5 x 5.5 x 8 (r)	340 x 140 x 205 (r)
	Load Wheels	≤ 60" (1525 mm)	4 - 3.25 x 3.25 (-302)	100 - 85 x 85 (-302)
		> 60" (1525 mm)	2 - 3.25 x 6.50 (-302)	50 - 85 x 165 (-302)
	Model	PW 3520-60		
	Drive Tire	in mm	13.5 x 5.5 x 8 (r)	340 x 140 x 205 (r)
	Load Wheels	≤ 60" (1525 mm)	4 - 3.25 x 3.25 (-302)	100 - 85 x 85 (-302)
		> 60" (1525 mm)	2 - 3.25 x 6.5 (-302)	50 - 85 x 165 (-302)
	Model	PW 3520-80		
	Drive Tire	in mm	13 x 4.5 x 8 (p)	340 x 115 x 205 (p)
	Load Wheels	≤ 60" (1525 mm)	2 - 3.25 x 6.5 (-302)	50 - 85 x 165 (-302)
		> 60" (1525 mm)	2 - 3.25 x 6.5 (-302)	50 - 85 x 165 (-302)
	-301	Moderate cut/tear resistance, high capacity. High capacity transport. Not for dock use.		
	-302	Highest cut/tear resistance offered. Extremely high capacity, low rolling resistance. Docks, rough floors and floor debris.		
	-401	Combines good cut/tear resistance and very high capacity. Use where nothing else works.		

(r) = rubber, (p) = poly, < = less than or equal to, > = greater than

PW 3500 Series

Technical Information

Maximum Battery Size

PW 3510-60: 7.94" (200 mm) wide x 31.12" (790 mm) long x 23.38" (595 mm) high

PW 3520-60/80:

Option 1 - 6.69" (170 mm) wide x 34.44" (875 mm) long x 23.38" (595 mm) high

Option 2 - 13.19" (335 mm) wide x 31.12" (790 mm) long x 23.38" (595 mm) high

Batteries

PW 3510-60: 12-volt, up to 660 amp hour, 7.6 Kwh
Min/Max weight 400/540 lb (180/250 kg)

PW 3520-60/80:

Option 1 - 24-volt, 330 amp hour, 7.7 Kwh
Min/Max weight 360/710 lb (160/320 kg)

Option 2 - 24-volt, 600 amp hour, 13.9 Kwh
Min/Max weight 815/1400 lb (370/630 kg)

Standard Equipment

- 12-volt fused electrical system (PW 3510)
24-volt fused electrical system (PW 3520-60/80)
- Resistor control
- Polyurethane load wheels
- Lift-off left and right battery retainers
- Full width, raise, lower, horn, and end mounted reversing button in control handle
- Third speed cutout
- 175 amp battery connector (PW 3520-60/80)
350 amp battery connector (PW 3510-60)
- Key switch
- Horn

Optional Equipment

- Transistor on PW 3520-60/80
- EE rating on PW 3520-60/80
- Curtis Unigage (discharge indicator with lift lockout and hour meter)
- Discharge indicator
- Hour meter
- Quick adjustment caster
- Quick adjustment caster with torsion bar package
- Battery retainer interlock switch
- Quick battery disconnect handle (PW 3520, right side only)
- Left side battery connector (right side standard)

- Battery compartment rollers
- Lift-off load backrest
- Hinged load backrest with quick release (48", 60" or 72" high) (1220 mm, 1525 mm, 1830 mm)
- Storage module (Option 2 battery only)
- 7" (180 mm) wide fork (PW 3520-60 only)
- Drive tire and load wheel options
- Toggle switch in lieu of key
- Tandem load wheels
- Cold and corrosion conditioning
- Special color paint
- Skid adapter

Operator Controls

The PW 3500 Series has a refined control handle, which improves operator comfort and productivity.

The Crown PW 3500 Series has dual, soft urethane twist grips with automatic return to neutral when released. Two textures and a unique “cam” design aid in plugging, steering and long distance travel. On the control pod are full width raise, lower and horn buttons for easy actuation. Third speed selector in control handle may be used to shut off high speed when operating in congested areas.

Reversing button in control handle reverses direction of travel, if button should come in contact with operator.

Electrical System

24-volt electrical system (PW 3520-60/80)
12-volt electrical system (PE 3510-60)

Series-wound, high-torque, fan-cooled, Crown manufactured drive motor for reliability and ease of service.

Series-wound, high-torque, lift motor.

Traction control systems: Resistor control has four heavy-duty contactors with silver tips. Solid-state time relay on resistor control between 2nd and 3rd speeds provide controlled acceleration. Resistor is standard on the PW 3500 Series. Transistor control is optional on 24-volt models.

Transistor control has many benefits; maximum energy efficiency, reduced maintenance and infinite speed control. Crown transistor controls feature a 250 amp rated system; a bypass contactor for maximum current in heavy loading, ramping applications; arc-less contactor operation; ramp start; and a sealed enclosure that protects the transistor control from water, contaminants, etc.

Lift limit switch operates at maximum lift height to shut off pump motor.

Control and power circuits are fused.

Power disconnect.

All wiring color coded.

Key switch.

175 amp SB connector (PW 3520-60/80) 350 amp connector (PW 3510-60).

Horn.

Hydraulic System

Heavy-duty pump, motor, reservoir and control are assembled into one unit. A centrally located lift cylinder, mounted vertically, is equipped with long-life polyurethane packing.

Pressure-compensating flow control valve is integral part of valve block and regulates maximum lowering speed.

Overload valve protects hydraulic components.

Drive Unit

All gear drive from drive motor to drive wheel axle. Drive tire axle is mounted in the drive unit on both sides for maximum strength in rough floor or docking applications. Drive unit is top and bottom mounted. Top mount is a large, tapered roller bearing for vertical or horizontal forces. Bottom mount has four shock mounted rollers on drive unit running in a hardened steel roller race. Gear train runs in oil-filled, sealed housing.

Caster System

Crown has designed two optional caster systems for the PW 3500 Series to meet high-volume warehouse requirements.

Option 1: Quick adjustment casters enable braking, traction, steer effort and stability to be “balanced” based on your specific applications.

Option 2: All of the advantages of quick adjustment casters are yours, in addition to a torsion bar suspension that maximizes stability on tall, unwieldy and less stable loads.

Fork Assembly

Fork width - 9.12" (230 mm) on standard-tip fork models, fork spread - 22" (560 mm) and 27" (685 mm) standard on standard-tip models. 23" (585 mm) - 26" (660 mm) spread available in one-inch increments.

To facilitate pallet entry/exit Crown has engineered several features into their fork assembly. Standard-tip forks have pallet entry rollers to lift fork over bottom board of pallet. Rollers are made of high molecular weight polyethylene with .75" (20 mm) axle and roll pin.

Abrasion-resistant steel entry/exit slides on both sides of each fork have convex bottom surfaces to prevent snagging as forks move over bottom boards of pallet. One piece design with radiused edges are welded away from contact point of slide.

New exit roller design prevents load wheel from dropping after crossing bottom board. The 4" (100 mm) wide, steel exit roller is positioned directly behind the load wheel to keep the fork rolling. New entry/exit slide design also assists in trouble free pallet entry/exit.

Fork adjustment is done at the toe with no need to remove a cover plate. Fork heel height adjustment is done quickly without removing battery. Quick and easy fork adjustment promotes servicing of fork assembly to keep pallet entry / exit productive.

Pull rod design incorporates a replaceable “tenon” design for fast servicing of pull rod while still in the truck.

Power Unit Structure

Rugged steel doors are suspended on heavy-duty pin hinges. Doors swing wide for good access. Doors also can be lifted off for unrestricted service access. Door bolts have exclusive convex design that mates with concave door holes for fast reinstallation of bolts. Heavy-steel skirt surrounds entire area.

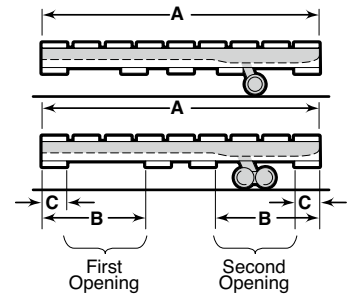
Brake

Internal expanding mechanical brake with 4.5" (115 mm) drum and bonded brake linings. Brake drum is mounted on drive motor shaft and braking effort is transmitted through the gear reductions. Brake is actuated by control handle position.

Pallet Planning Guide

On PW models, the load wheel will drop in the second opening of the pallet. When “A” dimension equals nominal fork length, “C” dimension is 6" (150 mm) maximum and “B” is 14" (355 mm) minimum.

On models with tandem load wheels, the “C” dimension should be 6" (150 mm) maximum and the “B” dimension should be 17" (430 mm) minimum. Customers that need tandem load wheel trucks, but use pallets with smaller openings, may be accommodated if the maximum lift height of the truck is reduced. Contact your local Crown dealer for details.



Other Options

- 1. Audible travel alarm
- 2. Flashing lights

Safety considerations and dangers associated with audible travel alarms and flashing lights include:

- Multiple alarms and/or lights can cause confusion.
- Workers ignore the alarms and/or lights after day-in and day-out exposure.
- Operator may transfer the responsibility for “looking out” to the pedestrians.
- Annoys operators and pedestrians.

Dimensions and performance data given may vary due to manufacturing tolerances. Performance is based on an average size vehicle and is affected by weight, condition of truck, how it is equipped and the conditions of the operating area. Crown products and specifications are subject to change without notice.



You can count on Crown to build lift trucks designed for safe operation, but that's only part of the safety equation. Crown encourages safe operating practices through ongoing operator training, safety-focused supervision, maintenance and a safe working environment. **Go to crown.com and view our safety section to learn more.**

Crown Equipment Corporation
New Bremen, Ohio 45869 USA
Tel 419-629-2311
Fax 419-629-3796
crown.com

Because Crown is continually improving its products, specifications are subject to change without notice.

Crown, the Crown logo, the color beige and the Momentum symbol are trademarks of Crown Equipment Corporation.

Copyright 1993-2015 Crown Equipment Corporation
SF12156 Rev. 02-15
Printed in U.S.A.