

CROWN

PTH 50 SERIES



Maximum Utility for Unrivaled Results

The PTH 50 Series may be the smallest truck in the Crown product family, but it can make a big difference for your operation with superior ergonomics, adaptability for countless applications, and industry-leading durability. Take advantage of a truck that delivers exceptional value and lower total cost of ownership without sacrificing performance.

**The Crown PTH 50 Series.
Exceptional Long-Term Value**



The Must-Have Hand Pallet Truck

Find power in productivity with the PTH 50 Series. It's built to last and easy to use in any part of your facility. That's why Crown's pallet truck is the go-to truck in most any application.



Durability

Complete the toughest challenges and benefit from simpler service with an intuitive design and dependable, long-lasting components.



Ease Of Use

Feel the difference of superior maneuverability and functionality as you seamlessly and comfortably move from task to task throughout your facility.



Versatility

Don't settle for less. The PTH 50 Series can be customized in a number of ways to meet your unique needs.

Visit crown.com

See the PTH 50 Series



Durability That Lasts

Crown takes the design of every truck seriously. The PTH 50 Series receives attention to performance and value in everything from engineering and design to manufacturing and testing.

Unlike “throw-away” trucks available today, Crown’s PTH 50 Series features solid construction, generous use of steel, and ergonomic features that make it the easiest to use shift after shift, year after year. With millions of trucks sold worldwide, our reputation is an important part of each truck we sell.



Includes **sealed and lubricated for life** bushings and bearings where others feature grease fittings.

Reinforced lower handle

1M
CYCLES

Pump valve tested to **over one million cycles** and minimizes contamination and corrosion with hard chrome pistons.



Feel the difference in Crown’s **strong, yet ergonomic design** that uses more steel where it’s needed most.

Refined Fork Tip Design **increases flexibility** for use in any application with a 2.95-inch fork clearance.

Steer and load wheels are engineered with **high-quality** compounds and bearings.

Forks with C-channel formed steel provide **added strength**.

Cross braces and steel forgings on lift truck arms **prevent twisting**.

Yellow chromate pins and shafts **resist corrosion**.



Ease Of Use You Can Feel

Easy handling and versatile performance make the PTH 50 Series an ideal solution in every point of your operation. Crown designed the truck with features to provide greater convenience for the operator, so the truck works harder for you.

Repetitive Tasks Simplified

Complete recurrent tasks more easily and reduce fatigue with an ergonomic handle that includes:

- a contoured design
- low-stress pump action
- a neutral lever position that provides ergonomic access
- an automatic return-to-vertical position



Pallet entry/exit is **optimized** with rollers, an exit ramp and a tapered fork tip design.

Box-style push rods ensure **better longevity**.



Articulating wheels

The PTH 50 Series has 7-inch articulating wheels designed to maintain optimal contact with the floor to help maneuver over uneven surfaces, across docks, and in and out of trailers.

Easy to Maintain

Not only is the PTH 50 Series easy to handle and maneuver, Crown has designed it to be as maintenance-free as possible. Each part is economical to replace and readily available, so you can save effort, time and money.

Versatility That Gets the Job Done

The PTH 50 Series covers more than the basics—it is designed to be used in most any application, and offers optimal performance in numerous operations. Plus, there are several options available that you can use to customize your truck to meet the needs of your specific application and create even more possibilities for your facility.

Manual Scissor Lift

Forks are raised and lowered by simply pumping the handle with the lever in the "raise" position.



Powered Scissor Lift

Electrically-powered hydraulics raise and lower forks at the touch of a button.



Scissor Lift improves operator comfort and efficiency by avoiding unnecessary bending and lifting that can cause strains and stresses on the body. It has various uses as a hand pallet truck and a mobile work positioner, can handle skids and open-bottom containers, and can be used to hold materials that will be fed onto conveyors and printing or punch presses.

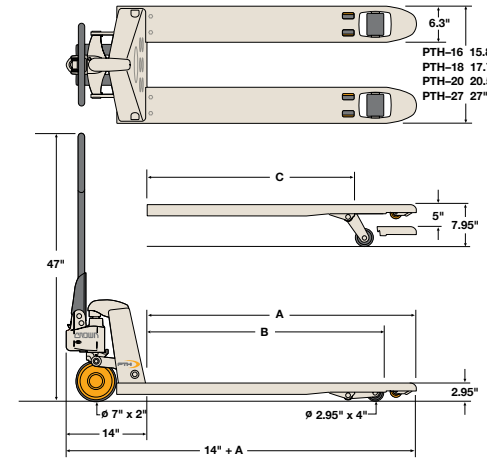


Load Backrest is constructed of 5/16-inch steel, and backrests are available in 48-inch and 60-inch sizes. Bolt-on installation simplifies field retrofits.



Skid Adapter increases lowered height to 5.5 inches to permit skid handling. Raised height increases to 10.5 inches. Adapter latches in vertical position for pallet-handling tasks.

Standard PTH

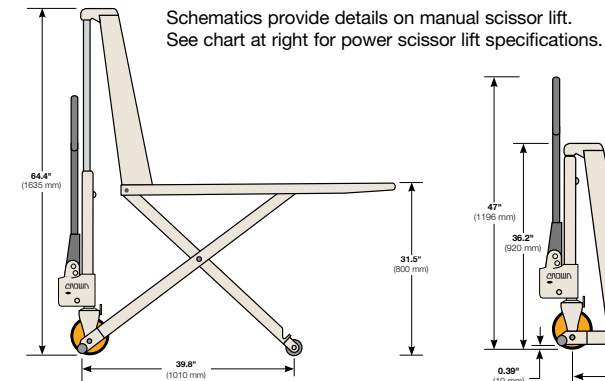


| Model | Width (in.) | (A) Fork Length (in.) | (B) Load Wheel Lowered (in.) | (C) Load Wheel Raised (in.) | Weight (lb.) |
|--------------|-------------|-----------------------|------------------------------|-----------------------------|--------------|
| PTH 50 16-36 | 15.8 | 35 | 29.5 | 23.5 | 132 |
| PTH 50 18-42 | 17.7 | 42 | 35.5 | 29.5 | 141 |
| PTH 50 18-48 | 17.7 | 48 | 41.5 | 35.5 | 148 |
| PTH 50 20-36 | 20.5 | 36 | 29.5 | 23.5 | 137 |
| PTH 50 20-42 | 20.5 | 42 | 35.5 | 29.5 | 143 |
| PTH 50 20-48 | 20.5 | 48 | 41.5 | 35.5 | 150 |
| PTH 50 27-36 | 27.0 | 36 | 29.5 | 23.5 | 143 |
| PTH 50 27-42 | 27.0 | 42 | 35.5 | 29.5 | 150 |
| PTH 50 27-48 | 27.0 | 48 | 41.5 | 35.5 | 159 |
| PTH 50 27-54 | 27.0 | 54 | 47.5 | 41.5 | 174 |
| PTH 50 27-60 | 27.0 | 60 | 53.5 | 47.5 | 187 |
| PTH 50 27-72 | 27.0 | 72 | 65.5 | 59.5 | 209 |

Capacity: 5000 lbs.
 Width of each fork: 6.3"
 Lift: 5"

Polyurethane Wheels
 Steer wheels: ø 7" x 2" wide
 Load wheels: ø 2.96" x 4" wide

Scissor Lift PTH



| Model | Lift Type | Width (in.) | Fork Length (in.) | Overall Length (in.) | Fork Height Lowered (in.) | Weight (lb.) |
|-----------|-----------|-------------|-------------------|----------------------|---------------------------|--------------|
| PTH 50 S | Manual | 21.25 | 45.3 | 62.8 | 3.35 | 348 |
| PTH 50 PS | Electric | 21.25 | 45.3 | 65.2 | 3.35 | 429 |

Capacity: 2200 lbs.
 Width of each fork: 6.3"
 Lift: 28"

Polyurethane Wheels
 Steer wheels: ø 7.1" x 2" wide
 Load wheels: ø 2.96" x 2.95" wide

Load Tray PTH

The optional load tray gives you the flexibility to build orders and unload trailers on a single hand pallet truck, eliminating secondary carts or platform trucks. Plus, it works with a wide range of Crown's Work Assist accessories, and offers a large work surface and space to keep paperwork, tools and other accessories at hand. The tray can be folded down when not in use or to eliminate interference with loads.



| Load Tray & Accessory Tube | Tray Width (in.) | Tray Length (in.) | Tray Height From Floor (in.) | Tray Capacity (lb.) |
|----------------------------|------------------|-------------------|------------------------------|---------------------|
| Fold Down Load Tray | 27 | 21 | 44 | 50 |

Crown's Work Assist® Accessories Options



The Crown Work Assist System enables users to tailor truck features to the job. From phone holders (phone not included) to clipboards, Crown offers a full range of accessories.

The PTH 50 Series: Exceptional Long-Term Value.
 Contact your local Crown dealer or purchase online at crown.com



Crown Equipment Corporation

New Bremen, Ohio 45869 USA

Tel 419-629-2311

Fax 419-629-3796

crown.com

You can count on Crown to build lift trucks designed for safe operation, but that's only part of the safety equation. Crown encourages safe operating practices through ongoing operator training, safety-focused supervision, maintenance and a safe working environment. Go to crown.com and view our safety section to learn more.

Because Crown is continually improving its products, specifications are subject to change without notice.

Crown, the Crown logo, the color beige, the Momentum Mark, Work Assist and the ecologic logo are trademarks of Crown Equipment Corporation.

Copyright 2016 Crown Equipment Corporation
SF14847 07-16
Printed in U.S.A.



Clean Environment. Smart Business.

Printed on elemental chlorine free and sustainably forested paper.