

Engine Powered Forklifts

EPA Tier 4 Diesel

4,000 - 7,000 lbs. Capacities | Pneumatic Tire



MAIN TRUCK SPECIFICATIONS

CHARACTERISTICS	1	Model	Model designation		PFD40M	PFD50M	
		2	Rated Load Capacity		lb (kg)	4000 (1800)	5000 (2250)
	3	Load Center	Distance	in (mm)	24 (600)	24 (600)	
	4	Power Type			Diesel	Diesel	
	5	Operator Orientation			Sit Down	Sit Down	
DIMENSIONS	6	Tire Type	Front & rear		Pneumatic	Pneumatic	
	7	Wheels	Number (x=driven) front/rear		2 x / 2	2 x / 2	
	8	Mast	Maximum fork height	in (mm)	131.5 (3340)	131.5 (3340)	
	9		Standard freelif	in (mm)	5.5 (140)	5.5 (140)	
	10	Forks	Thickness & width	in (mm)	1.6 x 4 (40x100)	1.6 x 4 (40x100)	
	11		Length	in (mm)	42 (1070)	42 (1070)	
	12	Tilt Angle	Standard mast - fwd/back	degree	6/10	6/10	
	13	Overall Dimensions	Length (to face of forks)	in (mm)	98.0 (2490)	100 / (2550)	
	14		Width (single/dual tires)	in (mm)	45.3 (1150) / 64.6 (1640)	45.3 (1150) / 64.6 (1640)	
	15		Mast lowered (OHL)	in (mm)	84.5 (2145)	84.5 (2145)	
	16		Mast extended with LBR	in (mm)	180 (4572)	180 (4572)	
	17		Height - top of OHG	in (mm)	82.9 (2105)	82.9 (2105)	
	18		Height - top of standard LBR	in (mm)	48.0 (1220)	48.0 (1220)	
	19		Width - standard carriage	in (mm)	46 (1145)	46 (1145)	
	PERFORMANCE	20	Grade Clearance	Ramp breakover angle	tan (%)	24	24
		21		Departure angle	tan (%)	24	21
22			Approach angle	tan (%)	25	25	
23		Turning Radius	Minimum outside	in (mm)	86.6 (2200)	87.8 (2230)	
24		Overhang	Front	in (mm)	17.9 (455)	17.9 (455)	
25			Rear	in (mm)	17.1 (735)	19.5 (496)	
26		Min Right Angle Stack	Add load length & clearance	in (mm)	105 (2667)	106 (2685)	
WEIGHT	27	Speeds Maximum	Travel - forward or reverse	mph (kmh)	11.2 (18.0)	10.9 (17.5)	
	28		Lift - full/empty	fpm (mm/sec)	120 / 126 (609 / 640)	120 / 126 (609 / 640)	
	29		Lowering - full/empty	fpm (mm/sec)	98.4 (500)	98.4 (500)	
	30	Drawbar Pull Max	Full load	lb (kg)	3960 (1800)	4520 (2050)	
	31		Empty	lb (kg)	2220 (1006)	3960 (1800)	
	32	Gradeability Max (1.2 mph)	Full/empty	tan (%)	42 / 36	37 / 31	
CHASSIS & WHEELS	33	Truck Weight	Standard truck - no load	lb (kg)	7610 (3450)	8210 (3724)	
	34	Weight Distribution	Front axle - empty	lb (kg)	3340 (1515)	3260 (1479)	
	35		Rear axle - empty	lb (kg)	4270 (1937)	4950 (2246)	
	36		Front axle - with rated load	lb (kg)	10060 (4564)	11650 (5285)	
	37		Rear axle - with rated load	lb (kg)	1550 (704)	1560 (708)	
DRIVE LINE	38	Tire Size	Front - single tire		7.00-12-12PR	7.00-12-12PR	
	39		Rear		6.00-9-12PR	6.00-9-12PR	
	40	Wheelbase		in (mm)	63 (1600)	63 (1600)	
	41	Tread - Center of Tire	Front / rear	in (mm)	37.8 38.6 (960/980)	37.8/38.6 (960/980)	
	42		Front - dual tires	in (mm)	47.4 (1205)	47.5 (1205)	
	43	Headroom	SIP to bottom of OHG	in (mm)	41 (1020)	41 (1020)	
	44	Counterweight Height		in (mm)	45 (1120)	45 (1120)	
	45	Step Height		in (mm)	19 (461)	19 (461)	
	46	Ground Clearance	Under mast	in (mm)	4.6 (117)	4.6 (117)	
	47		Under power unit	in (mm)	6.6 (168)	6.6 (168)	
	48		Under frame (WB center)	in (mm)	6.6 (167)	6.6 (167)	
	49	Service Brake	Type		Foot Operated, Hydraulic	Foot Operated, Hydraulic	
	50	Parking Brake	Type		Hand, Mechanical	Hand, Mechanical	
	51	Steering	Type		Full Hydraulic	Full Hydraulic	
DRIVE LINE	52	Engine	Model		4EG	4EG	
	53	Rated Output	SAE gross	hp (kW) @ rpm	48.0 (36.0) @ 2250	48.0 (36.0) @ 2250	
	54	Rated Torque	SAE gross	ft.-lb (Nm) @ rpm	131 (177) @ 1800	131 (177) @ 1800	
	55	Displacement		cu in (cm ³)	203 (3300)	203 (3300)	
	56	Transmission	Type		Powershift	Powershift	
	57		Number speeds - fwd/rev		1/1	1/1	

MAIN TRUCK SPECIFICATIONS

CHARACTERISTICS	1	Model	Model designation		PFD60M	PFD70M
	2	Rated Load Capacity		lb (kg)	6000 (2700)	7000 (3175)
	3	Load Center	Distance	in (mm)	24 (600)	24 (610)
	4	Power Type			Diesel	Diesel
	5	Operator Orientation			Sit Down	Sit Down
DIMENSIONS	6	Tire Type	Front & rear		Pneumatic	Pneumatic
	7	Wheels	Number (x=driven) front/rear		2 x / 2	2 x / 2
	8	Mast	Maximum fork height	in (mm)	130.5 / (3315)	131.5 (3340)
	9		Standard freelif	in (mm)	5.7 (145)	5.9 (150)
	10	Forks	Thickness & width	in (mm)	1.8 x 4.9 (45 x 125)	2 x 5 (51 x 127)
	11		Length	in (mm)	42 (1070)	42 (1070)
	12	Tilt Angle	Standard mast - fwd/back	degree	6/10	6/10
	13	Overall Dimensions	Length (to face of forks)	in (mm)	107.0 (2720)	110 (2794)
	14		Width (single/dual tires)	in (mm)	50.2 (1275) / 67.5 (1715)	50.8 (1291) / 67.5 (1715)
	15		Mast lowered (OHL)	in (mm)	90.5 (2299)	90.5 (2300)
	16		Mast extended with LBR	in (mm)	178.5 (4534)	180 (4572)
	17		Height - top of OHG	in (mm)	83.7 (2125)	84.3 (2142)
	18		Height - top of standard LBR	in (mm)	48.0 (1220)	48.0 (1220)
	19		Width - standard carriage	in (mm)	46 (1145)	46 (1145)
	20	Grade Clearance	Ramp breakover angle	tan (%)	24	26
	21		Departure angle	tan (%)	23	23
	22		Approach angle	tan (%)	28	29
	23	Turning Radius	Minimum outside	in (mm)	93.7 (2380)	96.1 (2441)
	24	Overhang	Front	in (mm)	19.3 (491)	19.5 (496)
	25		Rear	in (mm)	20.9 (531)	23.4 (595)
26	Min Right Angle Stack	Add load length & clearance	in (mm)	113.0 (2870)	116 (2947)	
PERFORMANCE	27	Speeds Maximum	Travel - forward or reverse	mph (kmh)	10.9 (17.5)	11.2 (18)
	28		Lift - full/empty	fpm (mm/sec)	96.5 (490) / 100 (508)	96.5 (490) / 100 (508)
	29		Lowering - full/empty	fpm (mm/sec)	98.4 (500)	98.4 (500)
	30	Drawbar Pull Max	Full load	lb (kg)	4540 (2060)	4140 (1877)
	31		Empty	lb (kg)	3960 (1795)	3620 (1642)
	32	Gradeability Max (1.0 mph)	Full/empty	tan (%)	30 / 26	24 / 21
WEIGHT	33	Truck Weight	Standard truck - no load	lb (kg)	9640 (4373)	10590 (4804)
	34	Weight Distribution	Front axle - empty	lb (kg)	3920 (1779)	3820 (1733)
	35		Rear axle - empty	lb (kg)	5720 (2595)	6770 (3071)
	36		Front axle - with rated load	lb (kg)	13890 (6301)	15500 (7031)
	37		Rear axle - with rated load	lb (kg)	1750 (794)	2130 (967)
CHASSIS & WHEELS	38	Tire Size	Front - single tire		28x9-15-12PR	28x9-15-12PR
	39		Rear		6.50-10-12PR	6.50-10-12PR
	40	Wheelbase		in (mm)	66.9 (1700)	66.9 (1700)
	41	Tread - Center of Tire	Front / rear	in (mm)	41.7/38.6 (1060/980)	41.7/38.6 (1060/980)
	42		Front - dual tires	in (mm)	47.2 (1200)	47.2 (1200)
	43	Headroom	SIP to bottom of OHG	in (mm)	41 (1020)	41 (1020)
	44	Counterweight Height		in (mm)	45 (1120)	46 (1150)
	45	Step Height		in (mm)	19 (480)	20 (490)
	46	Ground Clearance	Under mast	in (mm)	5.4 (137)	5.7 (145)
	47		Under power unit	in (mm)	7.4 (188)	8.0 (204)
	48		Under frame (WB center)	in (mm)	7.4 (188)	8.0 (204)
	49	Service Brake	Type		Foot Operated, Hydraulic	Foot Operated, Hydraulic
	50	Parking Brake	Type		Hand, Mechanical	Hand, Mechanical
	51	Steering	Type		Full Hydraulic	Full Hydraulic
DRIVE LINE	52	Engine	Model		4EG	4EG
	53	Rated Output	SAE gross	hp (kW) @ rpm	48.0 (36.0) @ 2250	48.0 (36.0) @ 2250
	54	Rated Torque	SAE gross	ft-lb (Nm) @ rpm	131 (177) @ 1800	131 (177) @ 1800
	55	Displacement		cu in (cm ³)	203 (3300)	203 (3300)
	56	Transmission	Type		Powershift	Powershift
	57		Number speeds - fwd/rev		1/1	1/1

MAST SPECIFICATIONS & RATED CAPACITIES

Mast Name		Maximum Fork Height	Overall Height Lowered	Free Lift*	Tilt Angle Forward/Backward	Rated Capacity 24 in (600 mm) Load Center			
						PFD40M		PFD50M	
						Single Drive	Dual Drive	Single Drive	Dual Drive
		in (mm)	in (mm)	in (mm)	degrees	lb (kg)		lb (kg)	
SIMPLEX (Wide View)	5V25B30	119.5 (3036)	78.5 (1994)	5.5 (140)	6 / 10	4800 (2180)	4800 (2180)	4800 (2180)	4800 (2180)
	5V25B33	131.5 (3340.1)	84.5 (2147)	5.5 (140)	6 / 10	4800 (2180)	4800 (2180)	4800 (2180)	4800 (2180)
	5V25B37	148.5 (3771.9)	95 (2413)	5.5 (140)	6 / 6	4800 (2180)	4800 (2180)	4800 (2180)	4800 (2180)
	5V25B41	163 (4140.2)	102 (2591)	5.5 (140)	6 / 6	4800 (2180)	4800 (2180)	4800 (2180)	4800 (2180)
	5V25B45	178.5 (4533.9)	110.5 (2807)	5.5 (140)	6 / 6	4740 (2150)	4800 (2180)	4800 (2180)	4800 (2180)
DUPLEX (Full free)	5F25C30	119.5 (3036)	78.5 (1994)	30.5 (775)	6 / 10	4800 (2180)	4800 (2180)	4800 (2180)	4800 (2180)
	5F25C33	131.5 (3341)	84.5 (2147)	36.5 (927.1)	6 / 10	4800 (2180)	4800 (2180)	4800 (2180)	4800 (2180)
TRIPLEX (Full free)	5M25C43	170.5 (4331)	78.5 (1994)	30.5 (775)	6 / 6	4800 (2180)	4800 (2180)	4800 (2180)	4800 (2180)
	5M25C48	188.5 (4788)	84.5 (2147)	36.5 (927.1)	6 / 6	4740 (2150)	4740 (2150)	4740 (2150)	4740 (2150)
	5M25C51	200.5 (5093)	89.5 (2274)	41 (1042)	6 / 6	4620 (2095)	4620 (2095)	4620 (2095)	4620 (2095)
	5M25C55	218 (5538)	95 (2413)	46.5 (1182)	6 / 6	3420 (1550)	4560 (2065)	3420 (1550)	4560 (2065)
	5M25C60	237 (6020)	102 (2591)	54 (1372)	6 / 6	2460 (1115)	3300 (1495)	2460 (1115)	3300 (1495)

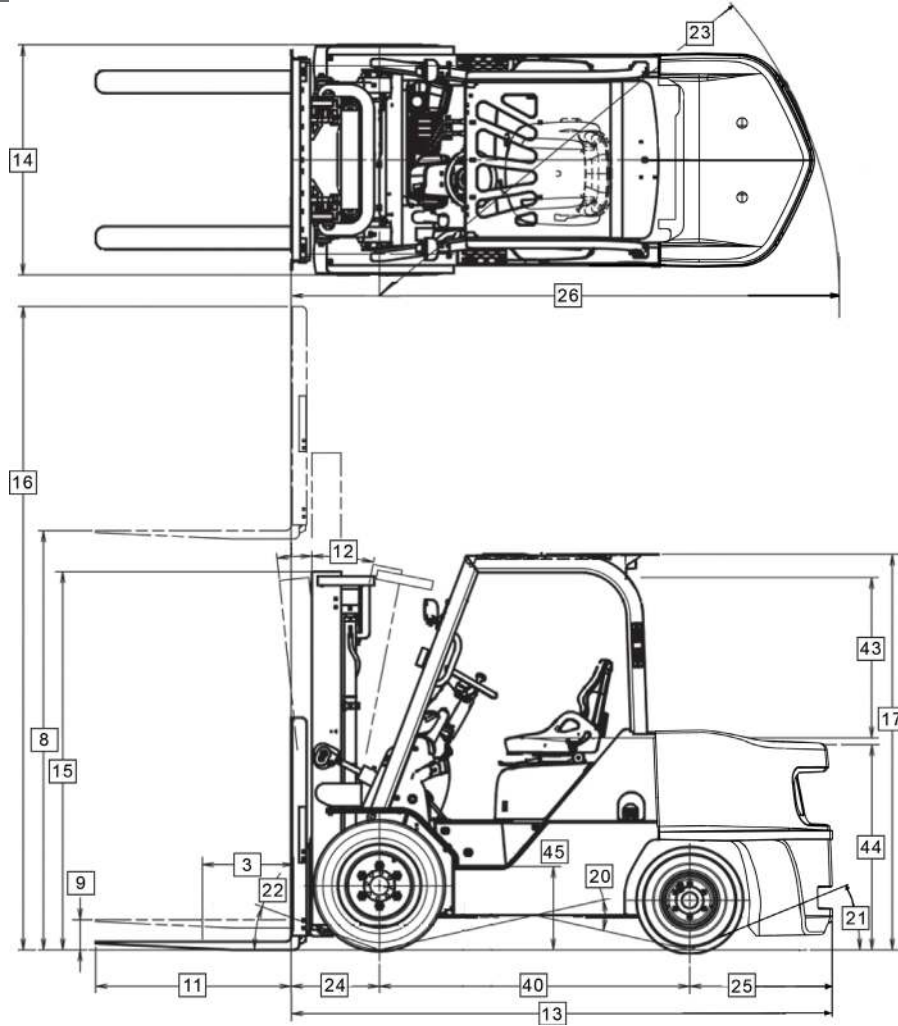
Mast Name		Maximum Fork Height	Overall Height Lowered	Free Lift*	Tilt Angle Forward/Backward	Rated Capacity 24 in (600 mm) Load Center			
						PFD60M		PFD70M	
						Single Drive	Dual Drive	Single Drive	Dual Drive
		in (mm)	in (mm)	in (mm)	degrees	lb (kg)		lb (kg)	
SIMPLEX (Wide View)	5V30B30	121 (3073.4)	80.5 (2045)	5.7 (145)	6 / 10	7200 (3265)	7200 (3265)	-	-
	5V30B33	130.5 (3314.7)	85.5 (2172)	5.7 (145)	6 / 10	7200 (3265)	7200 (3265)	-	-
	5V30B37	147.5 (3746.5)	96 (2439)	5.7 (145)	6 / 6	7200 (3265)	7200 (3265)	-	-
	5V30B40	159 (4038.6)	103 (2617)	5.7 (145)	6 / 6	7200 (3265)	7200 (3265)	-	-
	5V30B45	179 (4546.6)	113 (2871)	5.7 (145)	6 / 6	7140 (3240)	7140 (3240)	-	-
	5V30B50	198.5 (5041.9)	123 (3125)	5.7 (145)	6 / 6	6840 (3100)	6840 (3100)	-	-
	5V35B30	120 (3048)	86 (2185)	5.9 (150)	6 / 10	-	-	8400 (3810)	8400 (3810)
	5V35B33	131.5 (3340.1)	90.5 (2299)	5.9 (150)	6 / 10	-	-	8400 (3810)	8400 (3810)
	5V35B37	148.5 (3771.9)	99 (2515)	5.9 (150)	6 / 6	-	-	8400 (3810)	8400 (3810)
	5V35B40	159.5 (4051.3)	109 (2769)	5.9 (150)	6 / 6	-	-	8400 (3810)	8400 (3810)
DUPLEX (Full free)	5F30C30	119.5 (3036)	80.5 (2045)	32.5 (826)	6 / 10	7200 (3265)	7200 (3265)	-	-
	5F30C33	129.5 (3290)	85.5 (2172)	37 (940)	6 / 10	7200 (3265)	7200 (3265)	-	-
	5F35C28	110.5 (2807)	81 (2058)	33 (839)	6 / 10	-	-	8400 (3810)	8400 (3810)
	5F35C33	131.5 (3341)	90.5 (2299)	42.5 (1080)	6 / 10	-	-	8400 (3810)	8400 (3810)
TRIPLEX (Full free)	5M30C43	171.5 (4357)	80.5 (2045)	32.5 (826)	6 / 6	7200 (3265)	7200 (3265)	-	-
	5M30C47	186.5 (4738)	85.5 (2172)	37 (940)	6 / 6	7200 (3265)	7200 (3265)	-	-
	5M30C51	201 (5106)	90 (2286)	42 (1067)	6 / 6	7080 (3210)	7080 (3210)	-	-
	5M30C55	216 (5486.4)	96 (2439)	47.5 (1207)	6 / 6	6840 (3100)	6840 (3100)	-	-
	5M30C60	236.5 (6008)	103 (2617)	54.5 (1385)	6 / 6	6600 (2990)	6600 (2990)	-	-
	5M35C40	159.5 (4052)	81 (2058)	33 (839)	6 / 6	-	-	8400 (3810)	8400 (3810)
	5M35C44	174.5 (4433)	86 (2185)	38 (966)	6 / 6	-	-	8400 (3810)	8400 (3810)
	5M35C47	187 (4750)	90.5 (2299)	42.5 (1080)	6 / 6	-	-	8400 (3810)	8400 (3810)
	5M35C50	200 (5080)	96.5 (2452)	48.5 (1232)	6 / 6	-	-	8160 (3700)	8160 (3700)
	5M35C56	221.5 (5627)	103.5 (2629)	55.5 (1410)	6 / 6	-	-	7380 (3345)	7380 (3345)

*Free Lift with LBR

MAST SPECIFICATIONS & RATED CAPACITIES

Mast Name	Maximum Fork Height	Overall Height Lowered	Free Lift*	Tilt Angle Forward/Backward	PFD40M, PFD50M, PFD60M, PFD70D Single Drive, Dual Drive lb (kg)	
	in (mm)	in (mm)	in (mm)	degrees		
QUAD (Full free)	TC-1512I	240.0 (6096)	85 (2159)	59.0 (1499)	6 / 4	Consult Factory
	TC-1522I	258.0 (6554)	91 (2312)	65.0 (1651)	6 / 4	
	TC-1532I	276.0 (7011)	95.0 (2413)	71.0 (1804)	6 / 4	
	TC-1517I	240.0 (6096)	85 (2159)	59.0 (1499)	6 / 4	
	TC-1527I	258.0 (6554)	91 (2312)	65.0 (1651)	6 / 4	
	TC-1538I	276.0 (7011)	95.0 (2413)	71.0 (1804)	6 / 4	

DIMENSIONS



UNICARRIERS®
FORKLIFT

UniCarriersAmericas.com

SS-PD 02-2018 Printed in U.S.A.

UniCarriers® is a registered trademark of UniCarriers Corporation. UniCarriers Americas Corporation reserves the right to make product changes relating to colors, equipment, specifications or available options without notice. For more information, contact your UniCarriers representative.