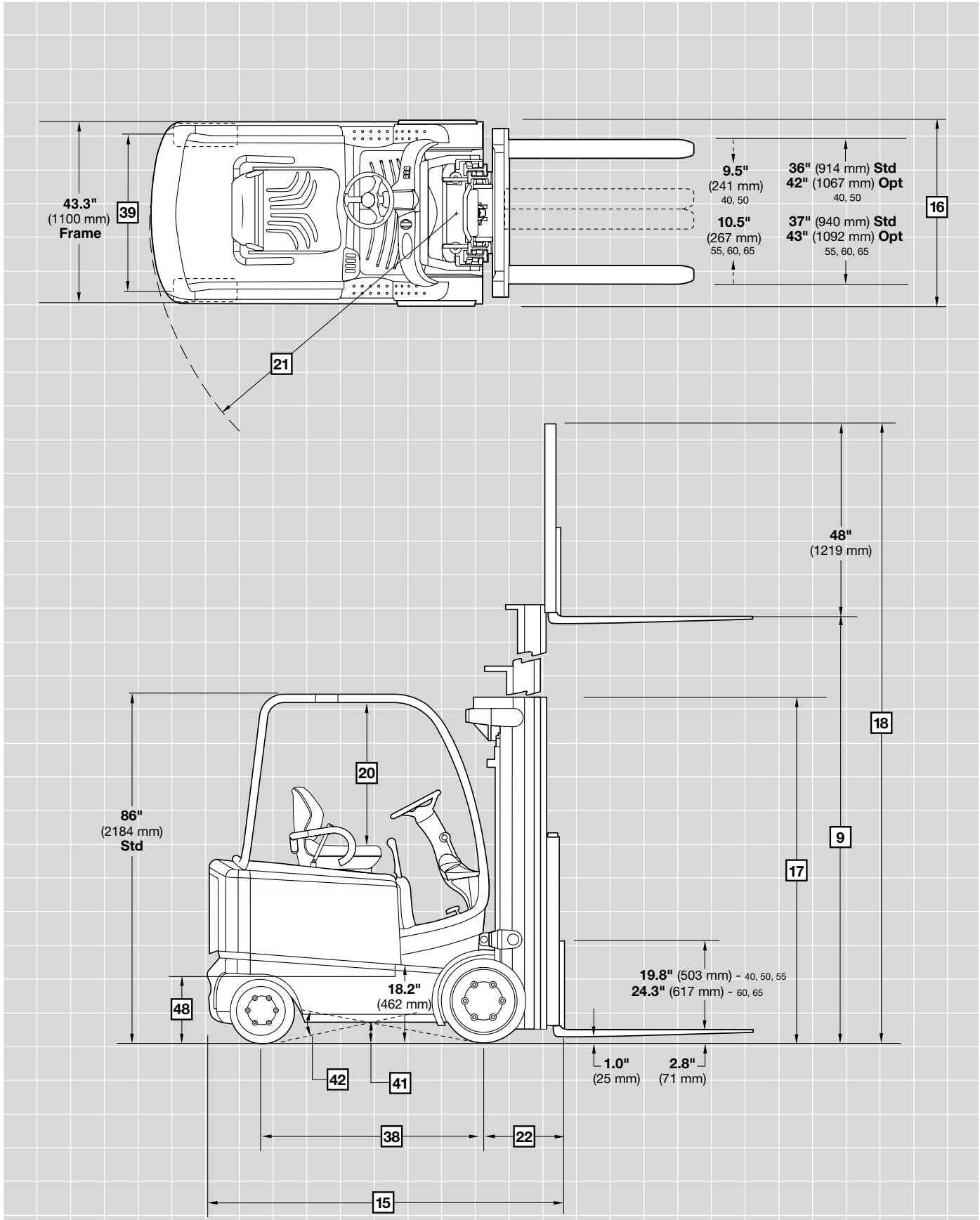


CROWN

FC 5200 SERIES

Specifications
Sit-Down Rider Lift Truck

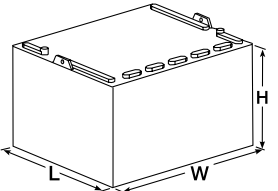




FC 5200 Series

Specifications

			Imperial	Metric	Imperial	Metric		
General Information	1	Manufacturer	Crown Equipment Corporation					
	2	Model	FC 5215-40		FC 5225-40			
	3	Load Capacity*	lb kg	4000	1810	4000	1810	
	4	Load Center	Fork Face to Load CG	in mm	24	600	24	600
	5	Power	Electric					
	6	Operator Type	36-Volt / 48-Volt					
	7	Tire Type	Sit-down Rider Counterbalanced					
	8	Wheels (x = driven)	Number Front/Rear	Cushion				
Dimensions	9	Mast (See Mast Chart)	Lifting Height (MFH)	in mm	188	4775	188	4775
			Free Lift Height	in mm	32.2	815	32.2	815
	12	Fork Carriage	ITA Class II					
	13	Forks	Standard L x W x T	in mm	36x4x1.8	915x102x46	36x4x1.8	915x102x46
			Optional Lengths	in mm	42, 48, 54, 60	1065, 1220, 1370, 1525	42, 48, 54, 60	1065, 1220, 1370, 1525
	14	Tilt	F° / B°	degree	5 / 5			
			Interlocked Fork Height**	in mm	66	1675	66	1675
		Battery Compartment	Nominal	in mm	27	686	33	838
	15	Headlength	Length to Fork Face	in mm	78.4	1990	84.6	2150
	16	Width Overall	Standard Tread	in mm	43.9	1115	43.9	1115
			Wide Tread	in mm	47.5	1210	47.5	1210
	17	Height with Load Backrest	Mast Collapsed	in mm	83	2105	83	2105
			Mast Extended	in mm	236	5995	236	5995
	20	SIP to Bottom of OHG (86" [2184 mm] Tall OHG)	Std / Suspension	in mm	36.2/36	920/915	36.2/36	920/915
21	Turning Radius		in mm	66.6	1690	72.1	1830	
22	Load Distance	Center of Wheel to Fork Face	in mm	15.8	400	15.8	400	
23	Aisle Width (Add Load + Clear)	Right Angle Stack	in mm	82.4	2090	87.9	2230	
Performance	24	Speed Travel	Empty / Loaded 48V	mph km/h	12.3/11.0	19.7/17.7	12.3/11.0	19.7/17.7
			Empty / Loaded 36V	mph km/h	11.0/10.0	17.7/16.1	11.0/10.0	17.7/16.1
	25	Speed Lift†	Empty / Loaded 48V	fpm mm/s	115/113	584/573	115/113	584/573
			Empty / Loaded 36V	fpm mm/s	115/86	584/438	115/86	584/438
26	Speed Lower	Empty / Loaded (Manual Hyd)	fpm mm/s	90	460	90	460	
		Empty / Loaded (EPV Hyd)	fpm mm/s	100	505	100	505	
Weights	32	Weight, Less Battery	lb kg	7235	3282	7201	3266	
	33	Axle Load with Max Battery, Loaded	Front	lb kg	12040	5461	12106	5491
			Rear	lb kg	1885	855	1895	860
	34	Axle Load with Max Battery, Unloaded	Front	lb kg	4785	2170	4851	2200
Rear			lb kg	5080	2304	5150	2336	
Chassis	36	Tires	Size Front	in mm	21x7x15	533x178x381	21x7x15	533x178x381
	Size Rear		in mm	16x6x10.5	406x152x267	16x6x10.5	406x152x267	
	38	Wheelbase	in mm	49.7	1260	54.7	1390	
	39	Tread/Track Width	Front Standard / Rear	in mm	36.9/36	937/914	36.9/36	937/914
			Front Optional / Rear	in mm	40.5/36	1029/914	40.5/36	1029/914
	40	Ground Clearance, Loaded	Lowest Point	in mm	3	76	3	76
41		Center of Wheelbase	in mm	4.8	122	4.8	122	
42	Grade Clearance, Loaded	%	38		35			
43	Brakes	Service	Foot Motor - Electric Assist					
		Parking	Auto - Electric					
Battery	45	Battery††	Type	Lead Acid				
	46	Capacity - 36V	AH	1210		1430		
			kWh	42.5		50.2		
			AH	880		1100		
			kWh	41.2		51.5		
	47	Weight - Min	lb kg	2630	1195	2800	1270	
			Weight - Max	lb kg	3200	1455	4000	1815
			Size - Max	Length	27.25	692	32.94	837
				Width	38.69	983	38.69	983
				Height	22.25	565	22.25	565
			Cable Lead Length/Connector Pos.	in mm	18/A	455/A	18/A	455/A
48	Battery Floor Height	With Rollers / w/o Rollers	in mm	17.4/17.1	442/434	17.4/17.1	442/434	
Motors	49	Motors	Dual Tractor Motors, dia	in mm	8.9	225	8.9	225
	50		Lift Motor, dia	in mm	7.2	183	7.2	183
51	Operating Pressure	For Attachments	psi bar	Up to 3000	Up to 207	Up to 3000	Up to 207	



* Optional masts, attachments, longer load dimensions and higher lifting heights may result in derating of the capacity. Contact local dealer.

** Forward tilt restricted to 2° above this height.

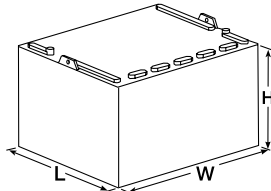
† Based on TT mast.

†† With maintenance-free batteries or batteries with a lid (flat top), consult factory.

FC 5200 Series

Specifications

			Imperial	Metric	Imperial	Metric	
General Information	1	Manufacturer	Crown Equipment Corporation				
	2	Model	FC 5215-50		FC 5225-50		
	3	Load Capacity*	lb kg	5000 2265	5000 2265		
	4	Load Center	Fork Face to Load CG in mm	24 600	24 600		
	5	Power	Electric	36-Volt / 48-Volt			
	6	Operator Type		Sit-down Rider Counterbalanced			
	7	Tire Type		Cushion			
	8	Wheels (x = driven)	Number Front/Rear	2x/2			
Dimensions	9	Mast (See Mast Chart)	Lifting Height (MFH) in mm	188 4775	188 4775		
			Free Lift Height in mm	32.2 815	32.2 815		
	12	Fork Carriage		ITA Class II			
	13	Forks	Standard L x W x T in mm	36x4x1.8 915x102x46	36x4x1.8 915x102x46		
			Optional Lengths in mm	42, 48, 54, 60 1065, 1220, 1370, 1525	42, 48, 54, 60 1065, 1220, 1370, 1525		
	14	Tilt	F° / B° degree	5 / 5			
			Interlocked Fork Height** in mm	66 1675	66 1675		
		Battery Compartment	Nominal in mm	27 686	33 838		
	15	Headlength	Length to Fork Face in mm	81.4 2070	84.6 2150		
	16	Width Overall	Standard Tread in mm	43.9 1115	43.9 1115		
			Wide Tread in mm	47.5 1210	47.5 1210		
	17	Height with Load Backrest	Mast Collapsed in mm	83 2105	83 2105		
	18		Mast Extended in mm	236 5995	236 5995		
	20	SIP to Bottom of OHG (86" [2184 mm] Tall OHG)	Std / Suspension in mm	36.2/36 920/915	36.2/36 920/915		
	21	Turning Radius	in mm	69.3 1760	72.1 1830		
22	Load Distance	Center of Wheel to Fork Face in mm	15.8 400	15.8 400			
23	Aisle Width (Add Load + Clear)	Right Angle Stack in mm	85.1 2160	87.9 2230			
Performance	24	Speed Travel	Empty / Loaded 48V mph km/h	12.3/11.0 19.7/17.7	12.3/11.0 19.7/17.7		
			Empty / Loaded 36V mph km/h	11.0/10.0 17.7/16.1	11.0/10.0 17.7/16.1		
	25	Speed Lift†	Empty / Loaded 48V fpm mm/s	115/102 584/520	115/102 584/520		
			Empty / Loaded 36V fpm mm/s	115/75 584/381	115/75 584/381		
26	Speed Lower	Empty / Loaded (Manual Hyd) fpm mm/s	90 460	90 460			
		Empty / Loaded (EPV Hyd) fpm mm/s	100 505	100 505			
Weights	32	Weight, Less Battery	lb kg	8082 3666	7870 3570		
	33	Axle Load with Max Battery, Loaded	Front lb kg	13755 6239	13670 6201		
			Rear lb kg	1334 605	1945 882		
	34	Axle Load with Max Battery, Unloaded	Front lb kg	5000 2268	4980 2259		
Rear lb kg			5722 2596	5700 2585			
Chassis	36	Tires	Size Front in mm	21x7x15 533x178x381	21x7x15 533x178x381		
	37		Size Rear in mm	16x6x10.5 406x152x267	16x6x10.5 406x152x267		
	38	Wheelbase in mm	49.7 1260	54.7 1390			
	39	Tread/Track Width	Front Standard / Rear in mm	36.9/36 937/914	36.9/36 937/914		
			Front Optional / Rear in mm	40.5/36 1029/914	40.5/36 1029/914		
	40	Ground Clearance, Loaded	Lowest Point in mm	3 76	3 76		
	41		Center of Wheelbase in mm	4.8 122	4.8 122		
42	Grade Clearance, Loaded	%	38	35			
43	Brakes	Service	Foot Motor - Electric Assist				
		Parking	Auto - Electric				
Battery	45	Battery††	Type	Lead Acid			
	46	Capacity - 36V	AH	1210	1430		
			kWh	42.5	50.2		
	46	Capacity - 48V	AH	880	1100		
			kWh	41.2	51.5		
	47	Weight - Min	lb kg	2630 1195	2800 1270		
			Weight - Max	lb kg	3200 1455	4000 1815	
			Size - Max	Length	27.25 692	32.94 837	
Width				38.69 983	38.69 983		
Height				22.25 565	22.25 565		
	Cable Lead Length/Connector Pos. in mm	18/A 455/A	18/A 455/A				
48	Battery Floor Height	With Rollers / w/o Rollers in mm	17.4/17.1 442/434	17.4/17.1 442/434			
Motors	49	Motors	Dual Tractor Motors, dia in mm	8.9 225	8.9 225		
	50	Motors	Lift Motor, dia in mm	7.2 183	7.2 183		
51	Operating Pressure	For Attachments psi bar	Up to 3000 Up to 207	Up to 3000 Up to 207			



* Optional masts, attachments, longer load dimensions and higher lifting heights may result in derating of the capacity. Contact local dealer.

** Forward tilt restricted to 2° above this height.

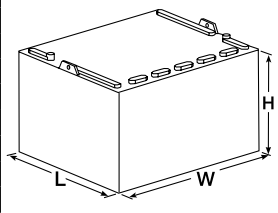
† Based on TT mast.

†† With maintenance-free batteries or batteries with a lid (flat top), consult factory.

FC 5200 Series

Specifications

			<i>Imperial</i>	<i>Metric</i>	<i>Imperial</i>	<i>Metric</i>		
General Information	1	Manufacturer	Crown Equipment Corporation					
	2	Model	FC 5245-50		FC 5225-55			
	3	Load Capacity*	lb kg	5000	2265	5500	2490	
	4	Load Center	Fork Face to Load CG	in mm	24	600	24	600
	5	Power	Electric					
	6	Operator Type	36-Volt / 48-Volt					
	7	Tire Type	Sit-down Rider Counterbalanced					
	8	Wheels (x = driven)	Cushion					
Dimensions	9	Mast (See Mast Chart)	Number Front/Rear	2x/2				
	Lifting Height (MFH)		in mm	188	4775	188	4775	
		Free Lift Height	in mm	32.2	815	32.2	815	
	12	Fork Carriage	ITA Class II					
	13	Forks	Standard L x W x T	in mm	36x4x1.8	915x102x46	36x5x1.8	915x127x46
			Optional Lengths	in mm	42, 48, 54, 60	1065, 1220, 1370, 1525	42, 48, 54, 60	1065, 1220, 1370, 1525
	14	Tilt	F° / B°	degree	5 / 5			
			Interlocked Fork Height**	in mm	66	1675	66	1675
		Battery Compartment	Nominal	in mm	36	914	33	838
	15	Headlength	Length to Fork Face	in mm	87.7	2230	87.6	2225
	16	Width Overall	Standard Tread	in mm	43.9	1115	45.7	1160
			Wide Tread	in mm	47.5	1210	48	1220
	17	Height with Load Backrest	Mast Collapsed	in mm	83	2105	83	2105
	18		Mast Extended	in mm	236	5995	236	5995
	20	SIP to Bottom of OHG (86" [2184 mm] Tall OHG)	Std / Suspension	in mm	36.2/36	920/915	36.2/36	920/915
21	Turning Radius		in mm	74.9	1905	74.9	1905	
22	Load Distance	Center of Wheel to Fork Face	in mm	15.8	400	15.8	410	
23	Aisle Width (Add Load + Clear)	Right Angle Stack	in mm	90.7	2305	90.7	2315	
Performance	24	Speed Travel	Empty / Loaded 48V	mph km/h	12.3/11.0	19.7/17.7	12.3/11.0	19.7/17.7
			Empty / Loaded 36V	mph km/h	11.0/10.0	17.7/16.1	11.0/10.0	17.7/16.1
	25	Speed Lift†	Empty / Loaded 48V	fpm mm/s	115/102	584/520	115/97	584/493
			Empty / Loaded 36V	fpm mm/s	115/75	584/381	115/69	584/351
	26	Speed Lower	Empty / Loaded (Manual Hyd)	fpm mm/s	90	460	90	460
Empty / Loaded (EPV Hyd)			fpm mm/s	100	505	100	505	
Weights	32	Weight, Less Battery	lb kg	7594	3445	8210	3724	
	33	Axle Load with Max Battery, Loaded	Front	lb kg	13739	6232	13997	6349
			Rear	lb kg	1955	887	2678	1215
	34	Axle Load with Max Battery, Unloaded	Front	lb kg	4991	2264	4441	2015
Rear			lb kg	5713	2591	6734	3054	
Chassis	36	Tires	Size Front	in mm	21x7x15	533x178x381	21x8x15	533x203x381
	37		Size Rear	in mm	16x6x10.5	406x152x267	16x6x10.5	406x152x267
	38	Wheelbase		in mm	54.7	1390	54.7	1390
	39	Tread/Track Width	Front Standard / Rear	in mm	36.9/36	937/914	37.9/36	965/914
			Front Optional / Rear	in mm	40.5/36	1029/914	39.5/36	1005/914
	40	Ground Clearance, Loaded	Lowest Point	in mm	3	76	3	76
	41		Center of Wheelbase	in mm	4.8	122	4.8	122
	42	Grade Clearance, Loaded		%	35		35	
43	Brakes	Service	Foot Motor - Electric Assist					
44		Parking	Auto - Electric					
Battery	45	Battery††	Type	Lead Acid				
	46	Capacity - 36V	AH	1650		1430		
			kWh	57.9		50.2		
			AH	1210		1100		
			kWh	56.6		51.5		
	47	Weight - Min	lb kg	3100	1410	2800	1270	
			Weight - Max	lb kg	4250	1930	4000	1815
			Size - Max	Length	36.38	924	32.94	837
				Width	38.69	983	38.69	983
			Height	22.25	565	22.25	565	
Cable Lead Length/Connector Pos.			in mm	18/A	455/A	18/A	455/A	
48	Battery Floor Height	With Rollers / w/o Rollers	in mm	17.4/17.1	442/434	17.4/17.1	442/434	
Motors	49	Motors	Dual Tractor Motors, dia	in mm	8.9	225	8.9	225
	50		Lift Motor, dia	in mm	7.2	183	7.2	183
51	Operating Pressure	For Attachments	psi bar	Up to 3000	Up to 207	Up to 3000	Up to 207	



* Optional masts, attachments, longer load dimensions and higher lifting heights may result in derating of the capacity. Contact local dealer.

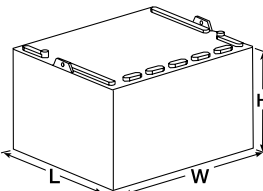
** Forward tilt restricted to 2° above this height.

† Based on TT mast.

†† With maintenance-free batteries or batteries with a lid (flat top), consult factory.

FC 5200 Series

Specifications

			Imperial	Metric	Imperial	Metric			
General Information	1	Manufacturer	Crown Equipment Corporation						
	2	Model	FC 5245-55		FC 5225-60				
	3	Load Capacity*	lb kg	5500	2490	6000	2720		
	4	Load Center	Fork Face to Load CG	in mm	24	600	24	600	
	5	Power	Electric	36-Volt / 48-Volt					
	6	Operator Type	Sit-down Rider Counterbalanced						
	7	Tire Type	Cushion						
	8	Wheels (x = driven)	Number Front/Rear	2x/2					
Dimensions	9	Mast (See Mast Chart)	Lifting Height (MFH)	in mm	188	4775	180	4570	
			Free Lift Height	in mm	32.2	815	32.2	815	
	12	Fork Carriage			ITA Class II		ITA Class III		
	13	Forks	Standard L x W x T	in mm	36x5x1.8	915x127x46	36x5x1.8	915x127x46	
			Optional Lengths	in mm	42, 48, 54, 60	1065, 1220, 1370, 1525	42, 48, 54, 60	1065, 1220, 1370, 1525	
	14	Tilt	F° / B°	degree	5 / 5				
			Interlocked Fork Height**	in mm	66	1675	66	1675	
		Battery Compartment	Nominal	in mm	36	914	33	838	
	15	Headlength	Length to Fork Face	in mm	90.7	2305	87.9	2235	
	16	Width Overall	Standard Tread	in mm	45.7	1160	45.7	1160	
			Wide Tread	in mm	48	1220	48	1220	
	17	Height with Load Backrest	Mast Collapsed	in mm	83	2105	83	2105	
			Mast Extended	in mm	236	5995	228	5795	
	20	SIP to Bottom of OHG (86" [2184 mm] Tall OHG)	Std / Suspension	in mm	36.2/36	920/915	36.2/36	920/915	
21	Turning Radius		in mm	77.7	1975	74.9	1905		
22	Load Distance	Center of Wheel to Fork Face	in mm	15.8	410	16.1	410		
23	Aisle Width (Add Load + Clear)	Right Angle Stack	in mm	93.5	2385	91	2315		
Performance	24	Speed Travel	Empty / Loaded 48V	mph km/h	12.3/11.0	19.7/17.7	12.3/11.0	19.7/17.7	
			Empty / Loaded 36V	mph km/h	11.0/10.0	17.7/16.1	11.0/10.0	17.7/16.1	
	25	Speed Lift†	Empty / Loaded 48V	fpm mm/s	115/97	584/493	115/92	584/467	
			Empty / Loaded 36V	fpm mm/s	115/69	584/351	115/64	584/327	
26	Speed Lower	Empty / Loaded (Manual Hyd)	fpm mm/s	90	460	90	460		
		Empty / Loaded (EPV Hyd)	fpm mm/s	100	505	100	505		
Weights	32	Weight, Less Battery	lb kg	9215	4180	8201	3720		
	33	Axle Load with Max Battery, Loaded	Front	lb kg	14165	6425	15780	7158	
			Rear	lb kg	2710	1229	2155	977	
	34	Axle Load with Max Battery, Unloaded	Front	lb kg	4495	2039	5385	2443	
Rear			lb kg	6815	3091	6630	3007		
Chassis	36	Tires	Size Front	in mm	21x8x15	533x203x381	21x8x15	533x203x381	
	Size Rear		in mm	16x6x10.5	406x152x267	16x6x10.5	406x152x267		
	38	Wheelbase	in mm	54.7	1390	54.7	1390		
	39	Tread/Track Width	Front Standard / Rear	in mm	37.9/36	965/914	37.9/36	965/914	
			Front Optional / Rear	in mm	39.5/36	1005/914	39.5/36	1005/914	
	40	Ground Clearance, Loaded	Lowest Point	in mm	3	76	3	76	
	41	Grade Clearance, Loaded	Center of Wheelbase	in mm	4.8	122	4.8	122	
	%		35		35				
43	Brakes	Service	Foot Motor - Electric Assist						
44		Parking	Auto - Electric						
Battery	45		Type	Lead Acid					
	46		Capacity - 36V	AH	1650		1430		
				kWh	57.9		50.2		
	47		Capacity - 48V	AH	1210		1100		
				kWh	56.6		51.5		
	47		Weight - Min	lb kg	3100	1410	2800	1270	
				lb kg	4250	1930	4000	1850	
				Size - Max	Length	36.38	924	32.94	837
					Width	38.69	983	38.69	983
			Height	22.25	565	22.25	565		
	Cable Lead Length/Connector Pos.	in mm	18/A	455/A	18/A	455/A			
48	Battery Floor Height	With Rollers / w/o Rollers	in mm	17.4/17.1	442/434	17.4/17.1	442/434		
Motors	49	Motors	Dual Tractor Motors, dia	in mm	8.9	225	8.9	225	
	50		Lift Motor, dia	in mm	7.2	183	7.2	183	
	51	Operating Pressure	For Attachments	psi bar	Up to 3000	Up to 207	Up to 3000	Up to 207	

* Optional masts, attachments, longer load dimensions and higher lifting heights may result in derating of the capacity. Contact local dealer.

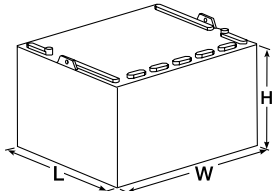
** Forward tilt restricted to 2° above this height.

† Based on TT mast.

†† With maintenance-free batteries or batteries with a lid (flat top), consult factory.

FC 5200 Series

Specifications

			Imperial	Metric	Imperial	Metric				
General Information	1	Manufacturer	Crown Equipment Corporation							
	2	Model	FC 5245-60		FC 5245-65					
	3	Load Capacity*	lb	kg	6000	2720	6500	2945		
	4	Load Center	Fork Face to Load CG	in	mm	24	600	24	600	
	5	Power	Electric	36-Volt / 48-Volt						
	6	Operator Type	Sit-down Rider Counterbalanced							
	7	Tire Type	Cushion							
	8	Wheels (x = driven)	Number Front/Rear	2x/2						
Dimensions	9	Mast (See Mast Chart)	Lifting Height (MFH)	in	mm	180	4570	171	4340	
			Free Lift Height	in	mm	32.2	815	32.2	815	
	12	Fork Carriage	ITA Class III							
	13	Forks	Standard L x W x T	in	mm	36x5x1.8	915x127x46	36x5x1.8	915x127x46	
			Optional Lengths	in	mm	42, 48, 54, 60	1065, 1220, 1370, 1525	42, 48, 60	1065, 1220, 1525	
	14	Tilt	F° / B°	degree				5 / 5		
			Interlocked Fork Height**	in	mm	66	1675	66	1675	
		Battery Compartment	Nominal	in	mm	36	914	36	914	
	15	Headlength	Length to Fork Face	in	mm	91.0	2315	91.0	2315	
	16	Width Overall	Standard Tread	in	mm	45.7	1160	45.7	1160	
			Wide Tread	in	mm	48	1220	48	1220	
	17	Height with Load Backrest	Mast Collapsed	in	mm	83	2105	83	2105	
			Mast Extended	in	mm	228	5795	219	5565	
	20	SIP to Bottom of OHG (86" [2184 mm] Tall OHG)	Std / Suspension	in	mm	36.2/36	920/915	36.2/36	920/915	
	21	Turning Radius		in	mm	77.7	1975	77.7	1975	
22	Load Distance	Center of Wheel to Fork Face	in	mm	16.1	410	16.1	410		
23	Aisle Width (Add Load + Clear)	Right Angle Stack	in	mm	93.8	2385	93.8	2385		
Performance	24	Speed Travel	Empty / Loaded 48V	mph	km/h	12.3/11.0	19.7/17.7	12.3/11.0	19.7/17.7	
			Empty / Loaded 36V	mph	km/h	11.0/10.0	17.7/16.1	11.0/10.0	17.7/16.1	
	25	Speed Lift†	Empty / Loaded 48V	fpm	mm/s	115/92	584/467	115/80	584/408	
			Empty / Loaded 36V	fpm	mm/s	115/64	584/327	115/58	584/295	
	26	Speed Lower	Empty / Loaded (Manual Hyd)	fpm	mm/s	90	460	90	460	
Empty / Loaded (EPV Hyd)			fpm	mm/s	100	505	100	505		
Weights	32	Weight, Less Battery	lb	kg	9939	4508	8925	4048		
	33	Axle Load with Max Battery, Loaded	Front	lb	kg	15222	6905	16025	7269	
			Rear	lb	kg	2079	943	2410	1093	
	34	Axle Load with Max Battery, Unloaded	Front	lb	kg	5065	2297	4700	2132	
Rear			lb	kg	6236	2829	7325	3323		
Chassis	36	Tires	Size Front	in	mm	21x8x15	533x203x381	21x8x15	533x203x381	
			Size Rear	in	mm	16x6x10.5	406x152x267	16x6x10.5	406x152x267	
	37	Wheelbase		in	mm	54.7	1390	54.7	1390	
	39	Tread/Track Width	Front Standard / Rear	in	mm	37.9/36	965/914	37.9/36	965/914	
			Front Optional / Rear	in	mm	39.5/36	1005/914	39.5/36	1005/914	
	40	Ground Clearance, Loaded	Lowest Point	in	mm	3	76	3	76	
	41		Center of Wheelbase	in	mm	4.8	122	4.8	122	
	42	Grade Clearance, Loaded				%		35	35	
43	Brakes	Service	Foot Motor - Electric Assist							
44		Parking	Auto - Electric							
Battery	45	Battery††	Type	Lead Acid						
			Capacity - 36V	AH	1650		1650			
			kWh	57.9		57.9				
	46		Capacity - 48V	AH	1210		1210			
				kWh	56.6		56.6			
	47		Weight - Min	lb	kg	3100	1410	3100	1410	
			Weight - Max	lb	kg	4250	1930	4250	1930	
			Size - Max	Length	in	mm	36.38	924	36.38	924
				Width	in	mm	38.69	983	38.69	983
			Height	in	mm	22.25	565	22.25	565	
			Cable Lead Length/Connector Pos.	in	mm	18/A	455/A	18/A	455/A	
48	Battery Floor Height	With Rollers / w/o Rollers	in	mm	17.4/17.1	442/434	17.4/17.1	442/434		
Motors	49	Motors	Dual Tractor Motors, dia	in	mm	8.9	225	8.9	225	
	50		Lift Motor, dia	in	mm	7.2	183	7.2	183	
	51	Operating Pressure	For Attachments	psi	bar	Up to 3000	Up to 207	Up to 3000	Up to 207	

* Optional masts, attachments, longer load dimensions and higher lifting heights may result in derating of the capacity. Contact local dealer.

** Forward tilt restricted to 2° above this height.

† Based on TT mast.

†† With maintenance-free batteries or batteries with a lid (flat top), consult factory.

FC 5200 Series

Specifications

Mast Chart FC 5200-40/50/55			TL															
Dimensions	9	Lifting Height in mm	126	3200	138	3505	150	3810	155	3935	159	4040	170	4320	183	4650	194	4930
	11	Free Lift Height† in mm	5.6	140	5.6	140	5.6	140	5.6	140	5.6	140	5.6	140	5.6	140	5.6	140
	14	Interlocked Fork Ht in mm	78	1980	78	1980	78	1980	78	1980	78	1980	78	1980	78	1980	78	1980
	17	Mast Collapsed Ht in mm	83	2105	89	2260	95	2410	101	2565	107	2720	113	2870	119	3025	125	3175
	18	Mast Extended Ht† in mm	174	4420	186	4725	198	5030	203	5155	207	5260	218	5540	231	5870	242	6150

Mast Chart FC 5200-40/50/55			TF															
Dimensions	9	Lifting Height in mm	114	2895	126	3200	138	3505	150	3810	162	4110	174	4415	184	4670	196	4975
	11	Free Lift Height† in mm	26.2	665	32.2	815	38.2	970	44.2	1120	50.2	1275	56.2	1425	62.2	1580	68.2	1730
	14	Interlocked Fork Ht in mm	60	1525	66	1675	72	1830	78	1980	84	2135	90	2285	86	2440	102	2590
	17	Mast Collapsed Ht in mm	77	1955	83	2110	89	2260	95	2415	101	2565	107	2720	113	2870	119	3025
	18	Mast Extended Ht† in mm	162	4115	174	4420	186	4725	198	5030	210	5335	222	5640	232	5895	244	6200

Mast Chart FC 5200-40/50/55			TT															
Dimensions	9	Lifting Height in mm	188	4775	206	5230	216*	5485	231*	5865*	246*	6245*	258*	6555*	276*	7010*	291*	7390*
	11	Free Lift Height† in mm	32.2	815	38.2	970	44.2	1120	50.2	1275	56.2	1425	62.2	1580	68.2	1730	74.2	1885
	14	Interlocked Fork Ht in mm	66	1675	72	1830	78	1980	84	2135	90	2285	96	2440	102	2590	108	2745
	17	Mast Collapsed Ht in mm	83	2110	89	2260	95	2415	101	2565	107	2720	113	2870	119	3025	125	3175
	18	Mast Extended Ht† in mm	236	5995	254	6450	264	6705	279	7085	294	7465	306	7775	324	8230	339	8610

Mast Chart FC 5200-40/50/55			QUAD									
Dimensions	9	Lifting Height in mm	240*	6095*	258*	6550*	276*	7010*	294*	7465*	312*	7925*
	11	Free Lift Height† in mm	31.8	805	39.8	1010	43.8	1110	49.8	1265	55.8	1415
	14	Interlocked Fork Ht in mm	76	1930	82	2085	88	2235	94	2390	100	2540
	17	Mast Collapsed Ht in mm	83	2105	89	2260	95	2410	101	2565	107	2720
	18	Mast Extended Ht† in mm	288	7315	306	7775	324	8230	342	8690	360	9145

* Wide tread drive tires recommended. Refer to capacity charts.

† Includes load backrest.

FC 5200 Series

Specifications

Mast Chart FC 5200-60			TL												
Dimensions	9	Lifting Height	in mm	118	2995	130	3300	142	3605	150	3810	159	4040	170	4320
	11	Free Lift Height†	in mm	5.9	150	5.9	150	5.9	150	5.9	150	5.9	150	5.9	150
	14	Interlocked Fork Ht	in mm	78	1980	78	1980	78	1980	78	1980	78	1980	78	1980
	17	Mast Collapsed Ht	in mm	83	2105	89	2260	95	2410	101	2565	107	2720	113	2870
	18	Mast Extended Ht†	in mm	166	4220	178	4525	190	4830	198	5030	207	5260	218	5540

Mast Chart FC 5200-60			TF														
Dimensions	9	Lifting Height	in mm	108	2740	120	3045	132	3350	143	3630	155	3935	167	4240	177	4495
	11	Free Lift Height†	in mm	26.2	665	32.2	815	38.2	970	44.2	1120	50.2	1275	56.2	1425	62.2	1580
	14	Interlocked Fork Ht	in mm	56	1420	62	1575	68	1730	74	1880	80	2030	86	2185	92	2335
	17	Mast Collapsed Ht	in mm	77	1955	83	2105	89	2260	95	2410	101	2565	107	2720	113	2870
	18	Mast Extended Ht†	in mm	156	3960	168	4265	180	4570	191	4850	203	5155	215	5460	225	5715

Mast Chart FC 5200-60			TT												
Dimensions	9	Lifting Height	in mm	180	4570	198	5025	208*	5280	223*	5660	238*	6045*	250*	6350*
	11	Free Lift Height†	in mm	32.2	815	38.2	970	44.2	1120	50.2	1275	56.2	1425	62.2	1580
	14	Interlocked Fork Ht	in mm	62	1575	68	1730	74	1880	80	2030	86	2185	92	2335
	17	Mast Collapsed Ht	in mm	83	2105	89	2260	95	2410	101	2565	107	2720	113	2870
	18	Mast Extended Ht†	in mm	228	5795	246	6250	256	6505	271	6885	286	7265	298	7570

Mast Chart FC 5200-65			TL												
Dimensions	9	Lifting Height	in mm	115	2920	126	3200	139	3530	150	3810	159	4040	170	4320
	11	Free Lift Height†	in mm	5.9	150	5.9	150	5.9	150	5.9	150	5.9	150	5.9	150
	14	Interlocked Fork Ht	in mm	78	1980	78	1980	78	1980	78	1980	78	1980	78	1980
	17	Mast Collapsed Ht	in mm	83	2105	89	2260	95	2410	101	2565	107	2720	113	2870
	18	Mast Extended Ht†	in mm	163	4140	174	4420	187	4750	198	5030	207	5260	218	5540

Mast Chart FC 5200-65			TF														
Dimensions	9	Lifting Height	in mm	105	2665	117	2970	129	3275	141	3580	153	3885	165	4190	175	4445
	11	Free Lift Height†	in mm	26.2	665	32.2	815	38.2	970	44.2	1120	50.2	1275	56.2	1425	62.2	1580
	14	Interlocked Fork Ht	in mm	56	1420	62	1575	68	1730	74	1880	80	2030	86	2185	92	2335
	17	Mast Collapsed Ht	in mm	77	1955	83	2105	89	2260	95	2410	101	2565	107	2720	113	2870
	18	Mast Extended Ht†	in mm	153	3885	165	4190	177	4495	189	4800	201	5105	213	5410	223	5665

Mast Chart FC 5200-65			TT												
Dimensions	9	Lifting Height	in mm	171	4340	189	4800	199	5055	214	5435	229	5815	241	6120
	11	Free Lift Height†	in mm	32.2	815	38.2	970	44.2	1120	50.2	1275	56.2	1425	62.2	1580
	14	Interlocked Fork Ht	in mm	62	1575	68	1730	74	1880	80	2030	86	2185	92	2335
	17	Mast Collapsed Ht	in mm	83	2105	89	2260	95	2410	101	2565	107	2720	113	2870
	18	Mast Extended Ht†	in mm	219	5565	237	6020	247	6275	262	6655	277	7035	289	7340

* Wide tread drive tires recommended. Refer to capacity charts.

† Includes load backrest.

Standard Features

1. Crown's Access 1 2 3[®] Comprehensive System Control
2. Intrinsic Stability System™
 - Travel speed reduction and appropriate brake control when forks are above free lift
 - Forward tilt interlock above free lift
 - Counterweight designed for optimal stability
 - Ramp speed control
 - Cornering speed control
 - Hill hold
3. e-GEN[®] braking system with automatic parking brake
4. Operator entry/exit
 - 18" (460 mm) step height
 - Large entry/exit "window"
 - Tubular overhead guard upright for easy hand hold
 - Contoured battery seat deck
 - Rounded floorboard edges
 - Tilt steering wheel and sculpted column
 - Large, uncluttered floorboard
5. Operator compartment design features
 - Low cowl for fork and floor visibility
 - Wide visibility window between overhead guard and front pillars
 - Crown FlexSeat™- fabric with hip restraint and anti-cinch seatbelt.
 - Infinite adjustment steering wheel column
 - Nylon control handles with tactile feedback
 - Natural position for forward/reverse selector
 - Rubber floor mat/rubber covered pedals
 - Sculpted counterweight for rearward visibility
6. Crown-manufactured drive and lift motors
7. 36/48-volt system

8. Crown display
 - Battery discharge indicator with lift interrupt and re-key feature
 - Hour meters/travel distance/stop watch
 - Pin code access capable
 - Event code display with five (5) key navigation
 - Access 1 2 3 diagnostics
 - P1, P2, P3 Performance tuning
 - Forward/reverse indicator
9. High visibility mast with in-line hose routing
10. Waterfall design overhead guard
11. Lift out or side removal battery access
12. Battery side retainer with interlock and fault identification
13. No tool lift out floorboards
14. 48" (1220 mm) high load backrest
15. 350 amp battery connector
16. Color-coded wiring
17. InfoPoint[®] System with Quick Reference Guide
18. Three-spool valve
19. O-ring face seal hydraulic fittings
20. Battery disconnect handle
21. Lift interrupt
22. AC hydraulics and on-demand steering

Optional Equipment

1. Integral or hook on sideshifter
2. Freezer and corrosion conditioning
3. UL "EE" rating
4. InfoLink[®] Ready System
5. TL, TF and Quad mast styles
6. Polished and tapered forks
7. Fork lengths
8. Hydraulic valves for attachments
9. Quick disconnect hydraulic connectors
10. Attachment pressure regulator and gauge
11. Special forward tilt
12. Adjustable armrest
13. Steering spinner knob
14. Keyless on/off switch
15. Work lights

16. Storage tray with clipboard support
17. Suspension Seat - fabric or vinyl
18. Tilt Position Assist
19. Back-up, brake and tail lights
20. Strobe lights
21. Audible travel alarm
22. Tow pin
23. Brake activated traction cutout
24. Foot operated directional control
25. Full battery side doors
26. Battery compartment rollers
27. Pos/Neg accessory cable
28. Wide tread widths
29. Load backrest heights
30. Drive-in rack overhead guard
31. Non-marking smooth or lug rubber tires
32. Work Assist[®] Accessories
 - Clip Pad
 - Hook
 - Storage Net
 - Storage Bin
 - Seat Deck Clip
 - Accessory clamp
 - Terminal mounting
 - Fire extinguisher
 - Operator fan
 - Work lights
 - Mirrors
 - Shrink wrap holder
 - Cup holder
 - Pencil holder
33. Battery spacer
34. Crown FlexSeat - vinyl
35. Rear post handle with horn button
36. Fingertip or dual joystick hydraulic controls
37. Swivel Seat
38. Lights on with Keyswitch
39. Attachments:
 - Carton Clamp
 - Fork Positioner
 - Push Pull
 - Single/Double
40. OHG Covers
 - Plexi-glass
 - 2x2 wire mesh

Driveability

The FC 5200 benefits from Crown's design and engineering excellence. Numerous features improve operator comfort and productivity.

A low 18" (460 mm) step height first greets the operator. A low, streamlined battery cover helps the operator glide into the truck's seat. The overhead guard is shaped to open up the entry/exit window and its tubular design provides a comfortable hand grip location for a variety of operator heights. The compact tilt steer column and steer wheel further facilitate entry/exit. Tilt column is spring loaded to easily move up and away. Floorboard is uncluttered and rubber covered to insulate the operator from vibration. Sculpted floorboard design promotes visibility to the drive tires, which can reduce product and pallet damage. Brake pedal effort is reduced. Pedal to pedal and floor to pedal relationships are refined for comfort.

Better visibility can be seen everywhere you look. A low cowl for fork and carriage visibility, a high visibility mast, a compact steer column, a sculpted floorboard and a "waterfall" overhead guard all contribute to superior visibility.

Control handles are crafted into the compartment and "fanned" for easy selection. They include tactile feedback for comfort and easy selection. Control actuation forces are minimal and responsive.

Battery disconnect is easy to reach and operate. Easy to actuate rocker-type switches are conveniently located to select optional work lights or fan. A large convex horn button is housed in the center of the wheel.

Crown Drive System

Crown has applied the latest generation AC drive system, enhanced with Access 1 2 3[®] technology. Crown-manufactured, independently controlled, AC drive motors are specifically designed to optimize system integration between the traction and braking controls. The demand for high efficiency systems that closely match customer torque requirements is met with this generation control system.

Crown's Access 1 2 3 technology provides optimum performance and control by offering a communication interface for both operators and technicians, intelligent coordination of lift truck systems and simplified service with advanced diagnostics.

The Crown display is used for easy troubleshooting, access event history and set performance features. A distribution panel is conveniently located with all test points, control fuses and central wiring for easy troubleshooting.

Three modes of performance can be selected to accommodate operator experience or application requirements.

e-GEN[®] Braking System

Variable regenerative motor braking is optimized and assisted with electric friction brakes, eliminating maintenance associated with typical wet, disk or drum and shoe style brakes. The appropriate amount of stopping force is applied to match operator brake input and the current operating conditions of the truck.

The closed loop Access 1 2 3 traction control will keep the truck static until a travel input is requested, even when operating on a grade.

Automatic electric parking brakes activate when the operator leaves the seat, a travel input has not been requested or battery power has been disconnected.

Steering System

Full hydrostatic system with equal area, double-acting cylinder provides equally responsive steering rate both ways (4.8 turns lock to lock). Rugged axle frame; forged spindle and connecting links eliminate the need for adjustment. One-piece forged spindle and kingpin in tapered roller bearings for improved life and serviceability. Spherical bearings with tapered pins in connecting links eliminate any play in linkage. All bearing locations are sealed to exclude contaminants and are equipped with lubrication fittings for ease.

Load-sense hydrostatic steering is an on-demand system which reduces energy consumption. Smooth, quiet steering control with minimal operator effort required at the steer tiller.

The steering geometry is matched to the controller to deliver smooth steering at all angles. The advantage is less tire scrubbing which extends tire life.

Both motors receive power, even in the tightest turns. This helps the truck to accelerate, turn and maneuver even from a full turn start position.

Cornering speed control regulates the drive motor's output by the turning degree of the truck. The advantage is smooth, stable steering which may increase operator confidence and productivity.

Hydraulics

Premium hydraulic function control valve provides precise metering of lift, tilt and accessory functions. Compensating section in the valve provides repeatable function speed regardless of load condition. Hydraulic lever actuation is minimal, reducing stress. Compensating section also improves overall system efficiency.

Tilt compensator prevents tilt from lunging or speeding up when doing simultaneous functions.

Crown lift/tilt interlock system provides extended forward tilt at low fork heights, reduced forward tilt at elevated heights to improve truck stability when forks are elevated.

The control valves' modular design allows easy addition of accessory functions. Maximum lowering speed is limited by pressure compensating flow control valve and velocity fuses. Integrated hydraulic cylinder cushions soften mast staging. All lift cylinder rams are plated and retract into the hydraulic oil for additional corrosion protection when forks are lowered.

The steel oil reservoir is integral to the frame which helps to dissipate hydraulic oil heat. This clean, leak-free design includes suction strainer with separate, easily accessible fill port and dipstick with filtered breathers. Oil is returned through a replaceable spin-on type oil filter. The hydraulic system provides continuous filtration.

Crown Manufactured Mast Assembly

The mast has four points of attachment to the truck for good load force distribution. Two mounting points are at the frame, where tilt cylinders attach. Tilt cylinders use spherical bushings to resist off center load distortions. Two large diameter studs secure the mast to the drive units.

High visibility mast features nested-rail design with lift cylinders positioned behind the rails. Heavy-duty mast is engineered to provide smooth reliable operation. Large hydraulic hose reeves and hose placement are engineered to reduce hose wear and increase hose life. Hose routing places hoses in-line versus side-by-side to reduce visual interference. Large lift chains are used for long reliable service life. Large diameter lift cylinders provide smooth operation.

Optional TL, TF and quad mast is available.

Batteries

Battery deck lid releases easily to expose battery for lift out or side battery removal. Optional battery rollers for use with mechanized extraction equipment. A low battery side retainer is standard. Full battery side doors are optional.

Carriage

An ITA Class II or III is standard. An optional Crown integral sideshifter and hook on type ITA sideshifters or other attachments can be easily added. Optional fork lengths are available.

Drive Units

Two Crown-manufactured independent double reduction planetary gear drive offers 22 to 1 gear reduction. The first and second reduction use helical gears for low-noise and efficiency. The drive unit gears are splash lubricated in an oil bath.

Other Options

1. Audible travel alarm
2. Flashing lights

Safety considerations and dangers associated with audible travel alarms and flashing lights include:

- Multiple alarms and/or lights can cause confusion.
- Workers ignore the alarms and/or lights after day-in and day-out exposure.
- Operator may transfer the responsibility for "looking out" to the pedestrians.
- Annoys operators and pedestrians.

Other Options Available

Contact your local Crown dealer.

Dimensions and performance data given may vary due to manufacturing tolerances. Performance is based on an average size vehicle and is affected by weight, condition of truck, how it is equipped and the conditions of the operating area. Crown products and specifications are subject to change without notice.



Crown Equipment Corporation
New Bremen, Ohio 45869 USA
Tel 419-629-2311
Fax 419-629-3796
crown.com

You can count on Crown to build lift trucks designed for safe operation, but that's only part of the safety equation. Crown encourages safe operating practices through ongoing operator training, safety-focused supervision, maintenance and a safe working environment. Go to crown.com and view our safety section to learn more.

Because Crown is continually improving its products, specifications are subject to change without notice.

Crown, the Crown logo, the color beige, the Momentum symbol, Access 1 2 3, e-GEN, InfoPoint, Intrinsic Stability System, FlexSeat, InfoLink and Work Assist are trademarks of Crown Equipment Corporation.

Copyright 2016 Crown Equipment Corporation
SF19377 Rev. 05-16
Printed in U.S.A.