

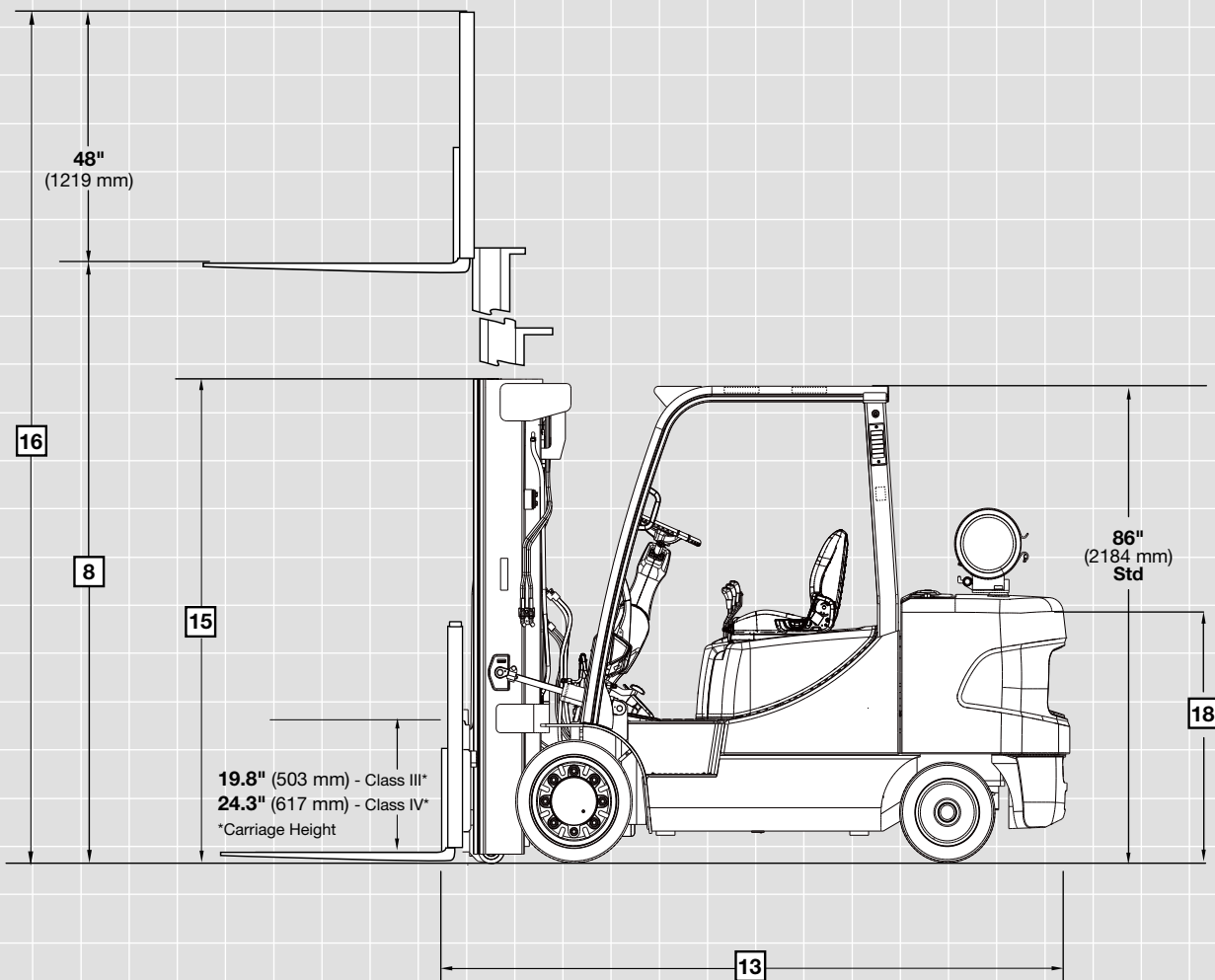
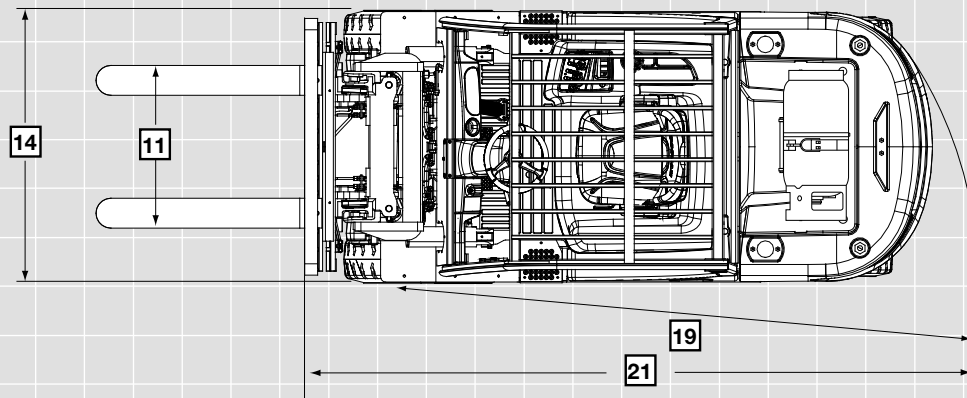
CROWN

C-G SERIES

Specifications

IC Cushion Tire
7,000-12,000 lbs





C-G Series

Specifications

Characteristics	1	Model		CGC35S-5	CGC40S-5	CGC45S-5	CGC50C-5	CGC55C-5	
	2	Load Capacity	At Rated Load Center	lb (kg)	7,000 (3,500)	8,000 (4,000)	10,000 (4,500)	11,000 (5,000)	12,000 (5,500)
	3	Load Center		in (mm)	24 (500)	24 (500)	24 (600)	24 (600)	24 (600)
	4	Power Type	Elec, Diesel, LPG, Gasoline		LPG	LPG	LPG	LPG	LPG
	5	Operator Type			Driver-Seated	Driver-Seated	Driver-Seated	Driver-Seated	Driver-Seated
	6	Tire Type	P:Pnu, E:Solid Soft, C:Cush		C	C	C	C	C
	7	Wheels (x = driven)	Front / Rear		x 2 / 2	x 2 / 2	x 2 / 2	x 2 / 2	x 2 / 2
Dimensions	8	Max. Fork Height	with STD 2-Stage Mast	in (mm)	113.4 (2,880)	113.4 (2,880)	113.4 (2,880)	103.5 (2,630)	103.5 (2,630)
	9	Free Lift		in (mm)	6.3 (160)	6.3 (160)	6.3 (160)	6.3 (160)	6.3 (160)
	10	Fork Carriage	ISO Class		III	III	IV	IV	IV
	11	Forks	Length x Width x Thickness	in (mm)	48.0x5.9x2.0 (1,220x150x50)	48.0x5.9x2.0 (1,220x150x50)	48.0x5.9x2.0 (1,220x150x50)	48.0x5.9x2.0 (1,220x150x50)	48.0x5.9x2.0 (1,220x150x50)
			Fork Spacing(Min x Max)		12.2 (310) / 42.6 (1,082)	12.2 (310) / 42.6 (1,082)	12.2 (310) / 42.6 (1,082)	13.4 (340) / 50.8 (1,290)	13.4 (340) / 50.8 (1,290)
	12	Tilt of Mast	Forward / Backward	deg	5 / 6	5 / 6	5 / 6	5 / 6	5 / 6
	13		Length to Fork Face	in (mm)	105.6 (2,682)	105.7 (2,686)	111.3 (2,828)	113.3 (2,878)	118.5 (3,010)
	14	Overall Dimensions	Overall Width	in (mm)	50.0 (1,270)	50.0 (1,270)	55.9 (1,420)	55.9 (1,420)	55.9 (1,420)
			Mast Lowered Height	in (mm)	84.1 (2,135)	84.1 (2,135)	86.0 (2,185)	86.0 (2,185)	86.0 (2,185)
			Mast Extended Height	in (mm)	162.0 (4,115)	162.0 (4,115)	169.9 (4,315)	160.0 (4,065)	160.0 (4,065)
			Overhead Guard Height	in (mm)	84.8 (2,155)	84.8 (2,155)	84.8 (2,155)	84.8 (2,155)	84.8 (2,155)
17		Seat Height	in (mm)	44.3 (1,125)	44.3 (1,125)	44.3 (1,125)	44.3 (1,125)	44.3 (1,125)	
18		Seat Height	in (mm)	44.3 (1,125)	44.3 (1,125)	44.3 (1,125)	44.3 (1,125)	44.3 (1,125)	
19	Turning Radius	Minimum Outside	in (mm)	92.9 (2,360)	94.5 (2,400)	99.6 (2,530)	101.6 (2,580)	103.5 (2,630)	
20	Load Moment Center		in (mm)	19.9 (505)	19.9 (505)	19.9 (505)	20.3 (515)	20.3 (515)	
21	Aisle 90 degree stacking (add load length & clearance)		in (mm)	112.8 (2,865)	114.4 (2,905)	119.5 (3,035)	121.9 (3,095)	123.8 (3,145)	
Performance	22	Travel Speed	Loaded / Unloaded	mph (km/h)	11.2 / 11.8 (18 / 19)	11.2 / 11.8 (18 / 19)	11.2 / 11.8 (18 / 19)	11.2 / 11.8 (18 / 19)	11.2 / 11.8 (18 / 19)
	23	Lifting Speed	Loaded / Unloaded	fpm (mm/s)	98.4 / 108.3 (500 / 550)	94.5 / 108.3 (480 / 550)	94.5 / 98.4 (480 / 500)	88.6 / 98.4 (450 / 500)	88.6 / 98.4 (450 / 500)
	24	Lowering Speed	Loaded / Unloaded	fpm (mm/s)	104.3 / 88.6 (530 / 450)	98.4 / 88.6 (500 / 450)	98.4 / 86.6 (500 / 440)	94.5 / 86.6 (480 / 440)	94.5 / 86.6 (480 / 440)
	25	Max. Drawbar Pull	Loaded at 1.0 mph (1.6km / h)	lb (kg)	5,340 (2,422)	5,212 (2,346)	5,578 (2,530)	5,816 (2,638)	5,944 (2,696)
	26	Max. Gradeability	Loaded at 1.0 mph (1.7km / h)	%	27	24	23	22	21
Weight	27	Total Service Weight, Unloaded		lb (kg)	12,059 (5,470)	12,897 (5,850)	14,330 (6,500)	15,410 (6,990)	16,182 (7,340)
	28	Axle Load	Loaded, Front / Rear	lb (kg)	17,571 / 2,205 (7,970 / 1,000)	19,158 / 2,557 (8,690 / 1,160)	21,550 / 2,701 (9,775 / 1,225)	23,435 / 2,998 (10,630 / 1,360)	24,998 / 3,329 (11,330 / 1,510)
			Unloaded, Front / Rear	lb (kg)	4,916 / 7,143 (2,230 / 3,240)	4,696 / 8,201 (2,130 / 3,720)	5,501 / 8,830 (2,495 / 4,005)	5,556 / 9,844 (2,520 / 4,470)	5,291 / 10,891 (2,400 / 4,940)
29									
Chassis	30	Tires	Number of wheels(F / R)	Ah	2 / 2	2 / 2	2 / 2	2 / 2	2 / 2
			Size, Front		22x9x16	22x9x16	22x12x16	22x12x16	22x12x16
			Size, Rear		18x6x12-1/8	18x7x12-1/8	18x8x12.1	18x8x12.1	18x8x12.1
	33	Wheel Base	Distance	in (mm)	64.2 (1,630)	64.2 (1,630)	70.5 (1,790)	70.5 (1,790)	70.5 (1,790)
	34	Tread Width	Front / Rear	in (mm)	41.0 / 41.1 (1,042 / 1,044)	41.0 / 41.1 (1,042 / 1,044)	43.9 / 41.1 (1,116 / 1,044)	43.9 / 41.1 (1,116 / 1,044)	43.9 / 41.1 (1,116 / 1,044)
	35	Ground Clearance	Loaded at the lowest point	in (mm)	5.1 (130)	5.1 (130)	5.1 (130)	5.1 (130)	5.1 (130)
	36		Loaded at center of wheelbase	in (mm)	5.1 (130)	5.1 (130)	5.1 (130)	5.1 (130)	5.1 (130)
37	Brakes	Service		foot / hyd	foot / hyd	foot / hyd	foot / hyd	foot / hyd	
		Parking		hand / mech	hand / mech	hand / mech	hand / mech	hand / mech	
Power Train	39	Battery	Voltage / Ampere	V/AH	12 / 75	12 / 75	12 / 75	12 / 75	12 / 75
	40	Engine	Manufacturer / Model		G643E	G643E	G643E	G643E	G643E
			Rated Power(DIN)	HP/rpm	94 / 2,500	94 / 2,500	94 / 2,500	94 / 2,500	94 / 2,500
				kW/rpm	70 / 2,500	70 / 2,500	70 / 2,500	70 / 2,500	70 / 2,500
				lb_ft/rpm	224 / 1,500	224 / 1,500	224 / 1,500	224 / 1,500	224 / 1,500
	42		Maximum Torque	kg_m/rpm	31 / 1,500	31 / 1,500	31 / 1,500	31 / 1,500	31 / 1,500
	43		Cylinders / Displacements	CC	6 / 4,294	6 / 4,294	6 / 4,294	6 / 4,294	6 / 4,294
44	Transmission	Type		powershift	powershift	powershift	powershift	powershift	
		Number of Speed (Fwd / Rev)		2 / 2	2 / 2	2 / 2	2 / 2	2 / 2	
45	Hydraulic Pressure	System	psi (bar)	2,755 (190)	3,045 (210)	3,045 (210)	3,045 (210)	3,335 (230)	
		Attachment	psi (bar)	2,030 (140)	2,030 (140)	2,030 (140)	2,030 (140)	2,030 (140)	

Note: Specification values quoted in this specification sheet has been rounded. Performance may vary due to operation conditions.
Products and specifications are subject to improvement and change without prior notices.

C-G Series

Specifications

Mast Chart CGC35S-5

Mast Type	Maximum Fork Height		Maximum Lowered Height		Fully Extended Height		Free Lift		Rated Load Capacities					
					CGC35S-5		With Load Backrest		With Load Backrest		Tilt Angle		Load Capacities	
					Narrow		Narrow		FWD	BWD	LC500mm	LC24in		
					deg		deg						kg	lb
	mm	in	mm	in	mm	in	mm	in	deg	deg	kg	lb		
TL	3000	118.1	2195	86.4	4265	167.9	160	6.3	5	6	3500	7000		
	3300	129.9	2345	92.3	4565	179.7	160	6.3	5	6	3500	7000		
	3650	143.7	2520	99.2	4915	193.5	160	6.3	5	6	3500	7000		
	4000	157.5	2845	112.0	5265	207.3	160	6.3	5	6	3500	7000		
	4250	167.3	2970	116.9	5515	217.1	160	6.3	5	6	3450	7000		
	4850	190.9	3420	134.6	6115	240.7	160	6.3	5	6	3275	6650		
TF	3000	118.1	2175	85.6	4250	167.3	975	38.4	5	6	3500	7000		
TT	4000	157.5	2060	81.1	5265	207.3	860	33.9	5	6	3375	6850		
	4250	167.3	2145	84.4	5530	217.7	945	37.2	5	6	3325	6750		
	4700	185.0	2295	90.4	5980	235.4	1095	43.1	5	6	3200	6500		
	5150	202.8	2445	96.3	6430	253.1	1245	49.0	5	6	3100	6300		
	5600	220.5	2595	102.2	6880	270.9	1395	54.9	5	6	2975	6100		
	6050	238.2	2745	108.1	7330	288.6	1545	60.8	5	6	2775	5850		

Mast Chart CGC40S-5

Mast Type	Maximum Fork Height		Maximum Lowered Height		Fully Extended Height		Free Lift		Rated Load Capacities					
					CGC40S-5		With Load Backrest		With Load Backrest		Tilt Angle		Load Capacities	
					Narrow		Narrow		FWD	BWD	LC500mm	LC24in		
					deg		deg						kg	lb
	mm	in	mm	in	mm	in	mm	in	deg	deg	kg	lb		
TL	3000	118.1	2195	86.4	4265	167.9	160	6.3	5	6	4000	8000		
	3300	129.9	2345	92.3	4565	179.7	160	6.3	5	6	4000	8000		
	3650	143.7	2520	99.2	4915	193.5	160	6.3	5	6	4000	8000		
	4000	157.5	2845	112.0	5265	207.3	160	6.3	5	6	4000	8000		
	4250	167.3	2970	116.9	5515	217.1	160	6.3	5	6	3950	8000		
	4850	190.9	3420	134.6	6115	240.7	160	6.3	5	6	3700	7550		
TF	3000	118.1	2175	85.6	4250	167.3	975	38.4	5	6	4000	8000		
TT	4000	157.5	2060	81.1	5265	207.3	860	33.9	5	6	3900	7900		
	4250	167.3	2145	84.4	5530	217.7	945	37.2	5	6	3825	7800		
	4700	185.0	2295	90.4	5980	235.4	1095	43.1	5	6	3700	7500		
	5150	202.8	2445	96.3	6430	253.1	1245	49.0	5	6	3575	7300		
	5600	220.5	2595	102.2	6880	270.9	1395	54.9	5	6	3450	7050		
	6050	238.2	2745	108.1	7330	288.6	1545	60.8	5	6	2675	6050		

C-G Series

Specifications

Mast Chart CGC45S-5

Mast Type	Maximum Fork Height		Maximum Lowered Height		Fully Extended Height		Free Lift		Rated Load Capacities					
					CGC45S-5		With Load Backrest		With Load Backrest		Tilt Angle		Load Capacities	
					Narrow		Narrow		Narrow		Narrow		Narrow	
					FWD	BWD	LC600mm	LC24in	FWD	BWD	LC600mm	LC24in		
	mm	in	mm	in	mm	in	mm	in	deg	deg	kg	lb		
TL	3000	118.1	2195	86.4	4415	173.8	160	6.3	5	6	4500	10000		
	3300	129.9	2345	92.3	4715	185.6	160	6.3	5	6	4500	10000		
	3650	143.7	2520	99.2	5065	199.4	160	6.3	5	6	4500	10000		
	4000	157.5	2845	112.0	5415	213.2	160	6.3	5	6	4500	10000		
	4250	167.3	2970	116.9	5665	223.0	160	6.3	5	6	4500	10000		
	4850	190.9	3420	134.6	6265	246.7	160	6.3	5	6	4375	9550		
TF	3000	118.1	2175	85.6	4400	173.2	825	32.5	5	6	4500	10000		
TT	4000	157.5	2055	80.9	5415	213.2	705	27.8	5	6	4500	9850		
	4250	167.3	2145	84.4	5680	223.6	795	31.3	5	6	4425	9700		
	4700	185.0	2295	90.4	6130	241.3	945	37.2	5	6	4275	9400		
	5150	202.8	2445	96.3	6580	259.1	1095	43.1	5	6	4150	9100		
	5600	220.5	2595	102.2	7030	276.8	1245	49.0	5	6	4025	8800		
	6050	238.2	2745	108.1	7480	294.5	1395	54.9	5	6	3900	8550		

Mast Chart CGC50C-5

Mast Type	Maximum Fork Height		Maximum Lowered Height		Fully Extended Height		Free Lift		Rated Load Capacities					
					CGC50C-5		With Load Backrest		With Load Backrest		Tilt Angle		Load Capacities	
					Narrow		Narrow		Narrow		Narrow		Narrow	
					FWD	BWD	LC600mm	LC24in	FWD	BWD	LC600mm	LC24in		
	mm	in	mm	in	mm	in	mm	in	deg	deg	kg	lb		
TL	2750	108.3	2195	86.4	4165	164.0	170	6.7	5	6	5000	11000		
	3050	120.1	2345	92.3	4465	175.8	170	6.7	5	6	5000	11000		
	3400	133.9	2520	99.2	4815	189.6	170	6.7	5	6	5000	11000		
	3750	147.6	2845	112.0	5165	203.3	170	6.7	5	6	5000	11000		
	4000	157.5	2970	116.9	5415	213.2	170	6.7	5	6	5000	11000		
	4600	181.1	3420	134.6	6015	236.8	170	6.7	5	6	4950	10850		
TF	2875	113.2	2175	85.6	4275	168.3	835	32.9	5	6	5000	11000		
TT	3875	152.6	2055	80.9	5290	208.3	715	28.1	5	6	5000	11000		
	4125	162.4	2145	84.4	5555	218.7	805	31.7	5	6	4975	10900		
	4575	180.1	2295	90.4	6005	236.4	955	37.6	5	6	4825	10550		
	5025	197.8	2445	96.3	6455	254.1	1105	43.5	5	6	4675	10250		
	5475	215.6	2595	102.2	6905	271.8	1255	49.4	5	6	4525	9900		
	5925	233.3	2745	108.1	7355	289.6	1405	55.3	5	6	4400	9600		

Mast Chart CGC55C-5

Mast type	Maximum Fork Height		Maximum Lowered Height		Fully Extended Height		Free Lift		Rated Load Capacities					
					CGC55C-5		With Load Backrest		With Load Backrest		Tilt Angle		Load Capacities	
					Narrow		Narrow		Narrow		Narrow		Narrow	
					FWD	BWD	LC600mm	LC24in	FWD	BWD	LC600mm	LC24in		
	mm	in	mm	in	mm	in	mm	in	deg	deg	kg	lb		
TL	2750	108.3	2195	86.4	4165	164.0	170	6.7	5	6	5500	12100		
	3050	120.1	2345	92.3	4465	175.8	170	6.7	5	6	5500	12100		
	3400	133.9	2520	99.2	4815	189.6	170	6.7	5	6	5500	12100		
	3750	147.6	2845	112.0	5165	203.3	170	6.7	5	6	5500	12100		
	4000	157.5	2970	116.9	5415	213.2	170	6.7	5	6	5500	12100		
	4600	181.1	3420	134.6	6015	236.8	170	6.7	5	6	5400	11800		
TF	2875	113.2	2175	85.6	4275	168.3	835	32.9	5	6	5500	12100		
TT	3875	152.6	2055	80.9	5290	208.3	715	28.1	5	6	5500	12100		
	4125	162.4	2145	84.4	5555	218.7	805	31.7	5	6	5425	11850		
	4575	180.1	2295	90.4	6005	236.4	955	37.6	5	6	5250	11500		
	5025	197.8	2445	96.3	6455	254.1	1105	43.5	5	6	5100	11150		
	5475	215.6	2595	102.2	6905	271.8	1255	49.4	5	6	4950	10850		
	5925	233.3	2745	108.1	7355	289.6	1405	55.3	5	6	4800	10500		

Standard Features

1. PSI 4.3 Liter V6 LPG engine compliant to current EPA standards.
2. 2 Speed Powershift transaxle with Autoshift feature.
3. Cast Iron one piece axle housing with large axle diameters.
4. Wet Disc Brakes. Fully enclosed with 5 year 10,000 hr warranty.
5. Rugged Steel weldment steer axle. Large King Pins with tapered roller bearings
6. Lift and Tilt locking hydraulic valve
7. Dual Element air cleaner with high air intake
8. Operator design features
 - Wide Spacious floorboard
 - Tilt Steering Column
 - Suspension seat (Vinyl or Cloth) with high visibility seat belt
 - OSS Operator Sensing System
 - Park brake alarm and seat belt indicator
 - Rear travel handle with horn
 - Park brake alarm and seat belt indicator
 - Low front cowl/dash optimizes site lines
 - Clear view overhead guard and mast design
 - Large Dual Mirrors
 - Front Halogen Work Lights
 - Easy to read gauges monitor Engine Oil pressure, engine coolant, transmission temp, brake oil level and mast interlock
 - Spinner Knob

Optional Equipment

1. Auto Tilt Leveling
2. Adjustable Top Speed Control
3. Hydraulic Lift Circuit Accumulators
4. Pre-Cleaner Air Intake
5. Dual Operator Fans
6. Panaramic Mirror
7. Travel Alarm
8. Fuel Sensor Light / Alarm
9. 12 Volt auxillary supply
10. Keyless Ignition
11. Carriage Side Thrust rollers
12. Fire Extinguisher
13. Combo Lights with Turn signals
14. Overhead guard covers
15. Lugged Drive Tires
16. Louvered Side Covers
17. LED Light Packages
18. Static Strap
19. Front-Rear Work Lights (LED)
20. InfoLink
21. Floor Spotlight
22. Quick Disconnect Attachment Couplings

Other Options

1. Flashing Lights
Safety considerations and dangers associated with audible travel alarms and flashing lights include:
 - Multiple alarms and/or lights can cause confusion.
 - Workers ignore the alarms and/or lights after day-in and day-out exposure.
 - Operator may transfer the responsibility for “looking out” to the pedestrians.
 - Annoys operators and pedestrians.

Other Options Available

Contact your local Crown dealer.

Dimensions and performance data given may vary due to manufacturing tolerances. Performance is based on an average size vehicle and is affected by weight, condition of truck, how it is equipped and the conditions of the operating area. Crown products and specifications are subject to change without notice.



Crown Equipment Corporation
New Bremen, Ohio 45869 USA
Tel 419-629-2311
Fax 419-629-3796
crown.com

You can count on Crown to sell lift trucks designed for safe operation, but that's only part of the safety equation. Crown encourages safe operating practices through ongoing operator training, safety-focused supervision, maintenance and a safe working environment. Go to crown.com and view our safety section to learn more.

Because Crown is continually improving its products, specifications are subject to change without notice.

Crown, the Crown logo, the color beige, the Momentum symbol, are trademarks of Crown Equipment Corporation.

Copyright 2017 Crown Equipment Corporation
SF19752 Rev. 01-17
Printed in U.S.A.