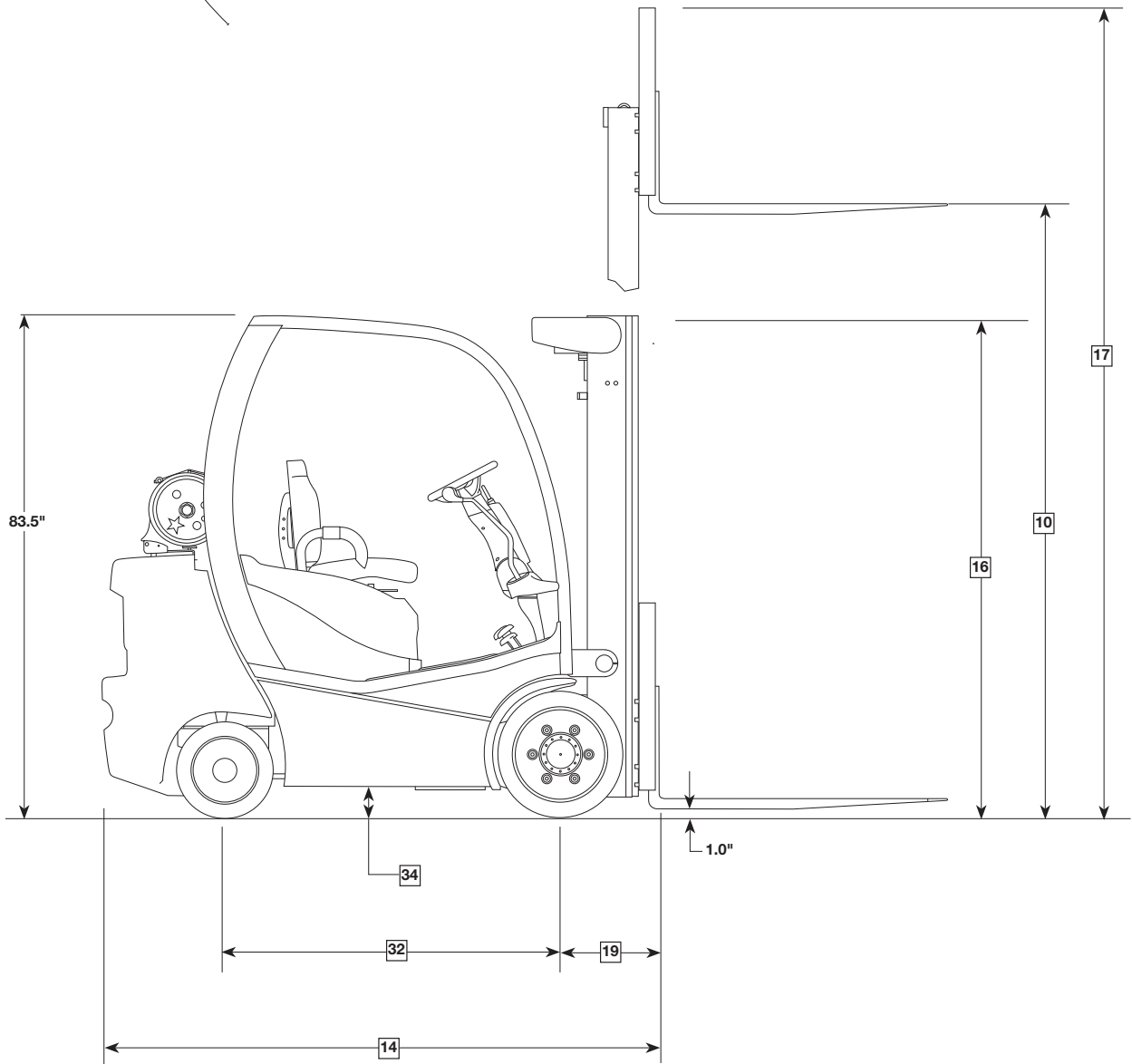
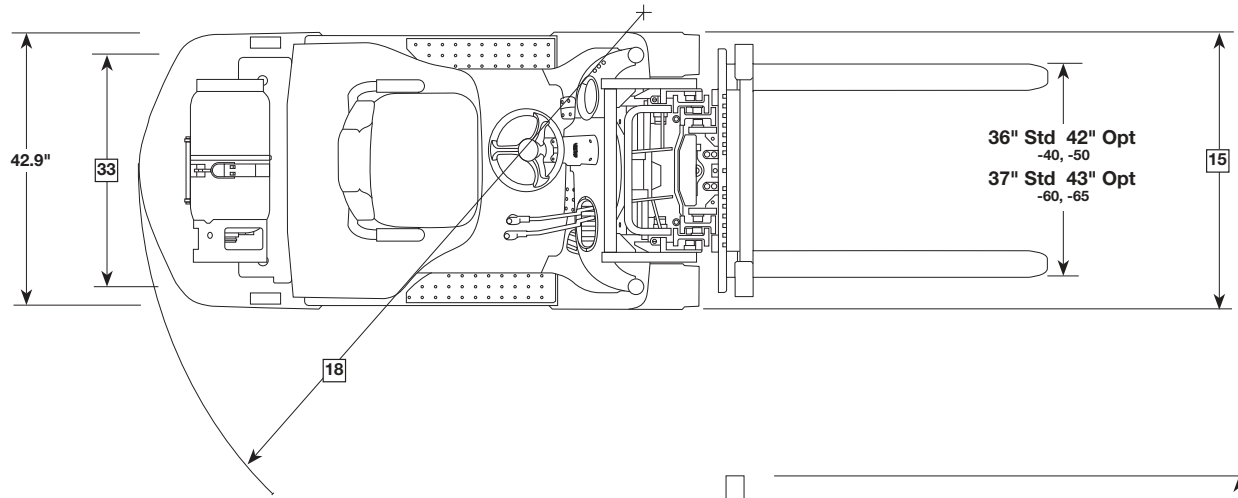


CROWN

C-5 SERIES

Specifications
IC Cushion Tire





C-5 Series Cushion

Specifications

General Information	1	Manufacturer	Crown Equipment Corporation					
	2	Model	C5 1000-40	C5 1000-50	C5 1000-60	C5 1000-65		
	3	Load Capacity	lb	4000	5000	6000	6500	
	4	Load Center	Fork Face to Load CG	in	24	24	24	24
	5	Power (Fuel) Type	Gas, LPG, Diesel		LPG	LPG	LPG	LPG
	6	Operator Type		Sit-down Rider Counterbalance	Sit-down Rider Counterbalance	Sit-down Rider Counterbalance	Sit-down Rider Counterbalance	
	7	Tire Type		Cushion	Cushion	Cushion	Cushion	
	8	Wheels (x = driven)	Number Front/Rear		2x / 2	2x / 2	2x / 2	2x / 2
	9	Steering Type		Hydrostatic	Hydrostatic	Hydrostatic	Hydrostatic	
	10	Mast (see table)	Lifting Height (MFH)	in	188	188	180	171
Free Lift Height	in		32.2	32.2	32.2	32.2		
Dimensions	11	Fork Carriage		ITA Class II	ITA Class II	ITA Class III	ITA Class III	
	12	Forks	Standard L x W x T	in	42 x 4 x 1.8	42 x 4 x 1.8	42 x 5 x 1.8	42 x 5 x 1.8
			Optional Lengths	in	36, 45, 48, 54, 60	36, 45, 48, 54, 60	36, 45, 48, 54, 60	36, 45, 48, 54, 60
	13	Tilt	F / B	degree	5 / 5	5 / 5	5 / 5	5 / 5
			Interlock Fork Height	in	95	95	95	95
	14	Head Length	Length to Fork Face	in	91.5	92.7	96.9	96.2
	15	Width Overall	Standard Tread	in	42.9	42.9	44.8	44.8
			Wide Tread	in	47	47	47	47
	16	Height with LBR	Mast Collapsed	in	83	83	83	83
	17	Height with LBR (see table)	Mast Extended	in	236	236	228	219
18	Turning Radius	Outside	in	78.4	80.6	84.8	84.1	
19	Load Distance	Center of Wheel to Fork Face	in	16.4	16.4	16.6	16.6	
20	Aisle Width (Add Load + Clear)	Right Angle Stack	in	94.8	97.0	101.4	100.7	
Performance	21	Speed Travel - Forward	Empty / Loaded	mph	11 / 10.9	11 / 10.9	11 / 10.9	11 / 10.9
	22	Speed Travel - Reverse	Empty / Loaded	mph	11 / 10.9	11 / 10.9	11 / 10.9	11 / 10.9
	23	Speed Lift	Empty / Loaded	fpm	130 / 128	130 / 128	130 / 128	130 / 128
	24	Speed Lower	Empty / Loaded	fpm	91 / 93	91 / 93	91 / 93	91 / 93
Weights	25	Drawbar Pull - Maximum	Empty / Loaded	lb	4360	4360	4360	4360
	26	Gradeability - Maximum	Empty / Loaded	%	21.7 / 34.1	18.1 / 27.9	16.1 / 24.1	15.5 / 21.3
	27	Gross Vehicle Weight		lb	8720	9735	10,655	10,820
Chassis	28	Axle Load Front	Empty / Loaded	lb	4245 / 11,200	4125 / 12,835	3910 / 14,350	3785 / 15,125
	29	Axle Load Rear	Empty / Loaded	lb	4475 / 1520	5610 / 1900	6745 / 2305	7035 / 2195
	30	Tires	Size Front	in	21 x 7 x 15	21 x 7 x 15	21 x 8 x 15	21 x 8 x 15
			Size Rear	in	16 x 6 x 10.5	16 x 6 x 10.5	18 x 6 x 12.125	18 x 6 x 12.125
	32	Wheelbase		in	55.9	55.9	55.9	55.9
	33	Tread / Track Width	Front Standard / Rear	in	35.9 / 35.9	35.9 / 35.9	36.9 / 35.9	36.9 / 35.9
			Front Optional / Rear	in	40 / 35.9	40 / 35.9	38.9 / 35.9	38.9 / 35.9
	34	Ground Clearance	Center of Wheelbase	in	4.9	4.9	4.9	4.9
Under mast			in	3.1	3.1	3.1	3.1	
35	Brakes	Service		Foot / Hydraulic	Foot / Hydraulic	Foot / Hydraulic	Foot / Hydraulic	
		Parking		Hand / Hydraulic	Hand / Hydraulic	Hand / Hydraulic	Hand / Hydraulic	
Powertrain	36	Battery Volts		V (amps)	12	12	12	12
	37	Engine	Type		Industrial	Industrial	Industrial	Industrial
			No. of Cylinders / Displacement / Liters		4 Cyl / 2.4L	4 Cyl / 2.4L	4 Cyl / 2.4L	4 Cyl / 2.4L
			Rated Output (SAE gross)	HP @ rpm	59 @ 2800	59 @ 2800	59 @ 2800	59 @ 2800
			Maximum Torque (SAE)	ft.-lbs @ rpm	125 @ 1400	125 @ 1400	125 @ 1400	125 @ 1400
	41	Transmission	Type		Powershift	Powershift	Powershift	Powershift
			Number of Speeds Forward / Reverse		1 / 1	1 / 1	1 / 1	1 / 1
43	Auxiliary Function Relief Pressure		psi	2600	2600	3100	3100	

C-5 Series Cushion

Specifications

Mast Charts

4000 lb capacity			TL				TT						QUAD				
9	Lift Height	in	81	126	138	150	188	206	216	231	246	258	276	240	258	276	294
11	Free Lift Height*	in	6	6	6	6	32.2	38.2	44.2	50.2	56.2	62.2	68.2	31.8	39.8	43.8	49.8
14	Interlocked Fork Height	in	—	78	78	78	95	95	95	95	95	96	102	76	82	88	94
17	Mast Collapsed Height	in	66.5	83	89	95	83	89	95	101	107	113	119	83	89	95	101
18	Mast Extended Height*	in	111	156	168	180	218	236	246	261	276	288	306	270	288	306	324

* Includes 30" load backrest

5000 lb capacity			TL				TT						QUAD				
9	Lift Height	in	81	126	138	150	188	206	216	231	246	258	276	240	258	276	294
11	Free Lift Height*	in	6	6	6	6	32.2	38.2	44.2	50.2	56.2	62.2	68.2	31.8	39.8	43.8	49.8
14	Interlocked Fork Height	in	—	78	78	78	95	95	95	95	95	96	102	76	82	88	94
17	Mast Collapsed Height	in	66.5	83	89	95	83	89	95	101	107	113	119	83	89	95	101
18	Mast Extended Height*	in	111	156	168	180	218	236	246	261	276	288	306	270	288	306	324

* Includes 30" load backrest

6000 lb capacity			TL				TT						QUAD**				
9	Lift Height	in	77	118	130	142	180	198	208	223	238	250	240	258	276	294	
11	Free Lift Height*	in	6	6	6	6	32.2	38.2	44.2	50.2	56.2	62.2	31.8	39.8	43.8	49.8	
14	Interlocked Fork Height	in	—	78	78	78	95	95	95	95	95	96	102	76	82	88	94
17	Mast Collapsed Height	in	66.5	83	89	95	83	89	95	101	107	113	119	83	89	95	101
18	Mast Extended Height*	in	113	154	166	178	216	234	244	259	274	286	276	294	312	330	

* Includes 36" load backrest

** Decreased capacity, 5000 lb mast on a 6000 lb chassis

6500 lb capacity			TL			TT					
9	Lift Height	in	115	126	139	171	189	199	214	229	241
11	Free Lift Height*	in	6	6	6	32.2	38.2	44.2	50.2	56.2	62.2
14	Interlocked Fork Height	in	78	78	78	95	95	95	95	95	96
17	Mast Collapsed Height	in	83	89	95	83	89	95	101	107	113
18	Mast Extended Height*	in	151	162	175	207	225	235	250	265	277

* Includes 36" load backrest

C-5 Series Cushion

Technical Information

Standard Features

1. Industrial 2.4L LPG engine compliant to current EPA standards
2. Hydrodynamic transaxle with 16.17 ratio
3. Dual open core radiator
4. Crown's Access 1 2 3® Comprehensive Control System
5. Intrinsic Stability System
 - Greater Mass and Low Center of Gravity
 - Tilt Interlock
 - Tilt Speed Control
 - Stalled Engine Braking and Steering
 - Hill Hold
6. Top speed limiter
7. Fold down LP bottle bracket
8. Two pedal control with combination inching/brake
9. Operator compartment design features
 - Low cowl for fork and floor visibility
 - Wide placed overhead guard uprights reduce visual interference
 - Isomounted overhead guard reduces vibration
 - Crown FlexSeat™ – fabric with hip restraint and anti-cinch seat belt
 - Infinitely adjustable steering wheel column
 - Nylon covered control handles with tactile feedback
 - Natural position for forward/reverse selector
 - Rubber floor mat/rubber covered pedals
10. Operator entry/exit
 - Extra wide step
 - Huge entry/exit window
 - Overhead guard upright for easy hand hold
 - Contoured seat deck
 - Compact tilt steering wheel and column
 - Large uncluttered floorboard
11. 30" or 36" load backrest depending on capacity
12. 42" forks
13. 38" wide fork carriage with upper thrust rollers
14. High visibility mast with in-line hose routing
15. Hour meter/event memory
16. No tool lift out floor boards
17. Three spool valve
18. O-ring face seal hydraulic fittings
19. Color-coded wiring
20. 12-volt alternator

21. Drum brakes are standard on 4000 and 5000 lb capacities; Power brakes are standard on 6000 and 6500 lb capacities
22. Isomounted heavy duty steer axle with grease zerks
23. Single element air cleaner
24. Wet cell battery
25. Low LP fuel level indicator
26. Filter air restriction indicator
27. Tow pin
28. Horn
29. Radiator Grill

Optional Equipment

1. On-Demand Cooling
2. Crown Power Brake (4000 and 5000 lb capacity)
3. Severe duty battery
4. TL mast (2-stage)
5. Quad mast (4-stage)
6. Polished and full taper forks (36", 45", 48", 54" and 60")
7. Quick disconnect hydraulic connections
8. Attachment pressure regulator and gauge
9. Special tilt
10. Load backrest heights (36", 48" and 60")
11. Accessory hydraulics and attachments
12. High performance chain lube
13. Corrosion resistant chain
14. Lower thrust rollers
15. Work lights (Halogen or LED)
16. Strobe light (Halogen or LED)
17. Back-up and brake lights
18. Smart travel alarm – Reverse
19. Keyless on/off switch
20. Fixed LP bottle bracket
21. Wide drive tire track width
22. Non-marking, smooth or lug rubber tires
23. Suspension seat – fabric or vinyl
24. Crown FlexSeat™ – vinyl
25. Work Assist Accessories
 - Pad clip and hook
 - Accessory clamp
 - Terminal mounting
 - Fire extinguisher
 - Operator fan
 - Mirrors
 - Cup holder
 - Shrink wrap holder
 - Storage net or pocket behind seat
 - Pencil holder
26. Three pedal control with separate inching/brake
27. Radiator screen
28. Air intake pre-cleaner
29. Belly pan
30. Engine block heater

31. Positive/Negative accessory cable
32. Spinner knob
33. Turn Signals
34. InfoLink®
35. Rear Post Handle with Horn Button
36. Counterweight Grill
37. Mirrors – Plastic or Glass
38. LPS, NFPA505 rating
39. Steer Axle with Sealed Bearings
40. Adjustable Armrest

Drivability

The C-5 Series benefits from design and engineering excellence. Numerous features improve operator comfort and productivity.

First, a wide entry step greets the operator and leads to the V-contoured engine cover that allows the operator to easily glide into the truck's seat. The curved posts of the overhead guard open up the entry/exit window and provide a comfortable grip location for a variety of operator heights. Further facilitating entry/exit is a spring-loaded, tilt steering column that easily moves up and away. The spacious floor board is uncluttered and includes a webbed floor mat that insulates the operator from vibration and heat. Additional operator comfort is achieved through reduced inching and brake pedal efforts along with a lower pedal height off the floor.

Crown's Intrinsic Stability System™ achieves improved operator confidence through a proactive approach to safety and stability. Integrated into the truck's components and control system, Crown's Intrinsic Stability System™ includes the following features:

- Greater Mass and Low Center of Gravity
- Tilt Interlock
- Tilt Speed Control
- Stalled Engine Braking and Steering
- Hill Hold

Improved visibility can reduce product and pallet damage. The C-5 features excellent visibility everywhere you look: a low cowl for fork and carriage visibility, a high visibility mast, a compact steering column, a sculpted floorboard design, an overhead guard top plate and bar configuration and a low LP bottle height.

The control handles are crafted into the compartment and designed to provide tactile feedback for easy selection. Actuation forces are minimal and responsive. The parking brake with tone alert enhances operator entry/exit and naturally encourages its use. A large convex horn button is housed in the center of the steering wheel. Isolation systems for the engine and the operator cell virtually eliminate all vibrations to the operator. Hot air is directed away from the operator by a large counterweight opening with a wedge deflector.

Powertrain

Derived from a diesel engine, the C-5 Series features an Industrial in-line 4 cylinder 2.4L emissions compliant LPG engine. This heavy duty industrial engine includes a heat resistant cast iron block and head. The 8 quart oil capacity and standard engine oil cooler offer additional cooling for improved thermal capacity and extended component life. A gear-driven valve train and auxiliary pump eliminates belt or chain adjustments. Operator comfort is further increased through internal balancing of the engine.

The Carraro TA135 single speed power shift transmission offers an optimized gear construction for low noise and vibrations and increased efficiency. The robust design of the Carraro transmission includes forged gears and drive shaft, ductile iron axle, differential support housings and high temperature seals and o-rings, all contributing to increased life and durability.

Cooling

A standard Dual Open Core radiator offers separate cooling for the engine and transmission and is isolated from the truck, separating it from impact and improving radiator life. The open core feature offers large spacing between cooling fins for reduced clogging. Air flow is maximized by a ten-blade fan that increases radiator performance and efficiency. The full fan shroud surrounds the radiator core surface. Its two-piece design aids in serviceability and is sealed to prevent air flow from bypassing the radiator core. Air flow is further maximized by the custom venturi shroud design that directs air over the entire surface of the radiator.

Crown's optional On-Demand Cooling System delivers precise cooling and radiator clearing for economical savings and uptime in harsh environment applications. Precise cooling is achieved through an independent radiator fan that automatically adjusts its speed to manage engine and transmission temperatures. The independent fan also allows for optimal radiator clearing by reversing its direction at engine start.

Crown Power Brake

The Crown Power Brake is a unique hydraulic powered, full circle brake with few parts and larger friction areas that contribute to longer brake life. This design reduces operator pedal effort, improves brake responsiveness and features direct and easy access to the friction pad, which reduces downtime for brake maintenance. The parking brake is an integral part of the service brake and is activated by a one-touch push button located on the cowl to the right of the steer wheel column. A tone alert reminder is standard.

Hydraulics

The C-5 Series' premium hydraulic function control valve provides a precise metering of lift, tilt and accessory functions, without sacrificing operator comfort. Operator stress is reduced through minimal hydraulic lever actuation.

Crown's lift/tilt interlock system provides extended forward tilt at low fork heights and reduced forward tilt at elevated heights for improved truck stability. The interlock system also inhibits accidental hydraulic functions when the operator is out of the seat. The tilt compensator maintains proper tilt speed control under all load conditions.

The modular design of the control valves allows for easy addition of accessory functions. Maximum lowering speed is limited by a pressure compensating flow control valve and velocity fuses. Integrated hydraulic cylinder cushions soften mast staging. All lift cylinder rams are plated and when the forks are lowered, retract into the hydraulic oil for additional corrosion protection.

The steel oil reservoir is integral to the frame, aiding in the dissipation of hydraulic oil heat. This clean, leak-free design includes a suction strainer with separate, easily accessible fill port and dipstick with a dual filtered breather. Hydraulic oil is returned through an environmentally friendly cartridge filter, which is easily serviced.

A 2-stage filtration system on the breather/dipstick offers superior protection from contamination to the hydraulic oil and from oil misting, which could create a dirty residue on the inside of the engine compartment.

The steering and power brake systems are also hydraulic powered, assisting in the reduction of operator fatigue and improved productivity.

Crown Manufactured Mast Assembly

The heavy-duty mast of the C-5 Series is engineered to provide smooth, reliable operation without compromising strength or quality. The large, rugged mast trunnions are mounted on the drive axle. Securing the mast are extra heavy tilt cylinders with self-aligning bushings. Crown's high visibility mast features a nested-rail design with lift cylinders positioned behind the rails. In-line hose routing also reduces visual interference. Large hydraulic hose pulleys and hose placement are engineered to reduce hose wear and increase hose life. Large lift chains are used for long reliable service life. Class II and III fork carriages are available. Optional TL or quad masts are also available.

C-5 Series Cushion

Steering

A fully hydrostatic steering system with equal area and double-acting cylinder provides an equally responsive steering rate both ways (4.8 turns lock to lock). The rugged axle frame, forged spindle and connecting links eliminate the need for adjustment. A two-piece spindle and kingpin with tapered roller bearings improves life and serviceability. Spherical bearings with straight pins in the connecting links eliminate any play in the linkage. All bearing locations are sealed to exclude contaminants and are equipped with lubrication fittings for ease of service. The steer axle articulates in a rubber isolation bushing to improve truck handling and ride.

Electrical System

The C-5 Series comes with a standard wet cell battery. An optional 12-volt Severe Duty provides 450 cold cranking amps.

Exclusive on-board information and diagnostics system includes fully integrated Access 1 2 3 Comprehensive Control System with CAN Bus communication. Features include:

- Engine Diagnostics
- Truck Level Diagnostics
- Component Analyzer
- Password Protection
- Speed Control Features
- Performance Modes
- Operator PIN Codes

Crown display is fully integrated giving the operator and service technician real time information and messaging for event codes, fuel level, truck hours or real time speed. The alpha-numeric display

Technical Information

serves as the communication nerve center with the following indicator lights:

- Alternator/Battery
- Malfunction
- Seat Belt
- Park Brake Status
- Low Oil Pressure
- High Transmission Temperature
- Engine Coolant Temperature
- Multi Stage Fuel Level Lights

All wire harnesses are wrapped with corrugated sleeving and are fully sealed with ultrasonically welded connections for improved reliability and durability. All electrical connectors are sealed to IP67.

Other Options

Flashing Lights

Safety considerations and dangers associated with audible alarms and flashing lights include:

- Multiple alarms and/or lights can cause confusion
- Workers ignore the alarms and/or lights after day-in and day-out exposure
- Operator may transfer the responsibility for looking out for pedestrians
- Annoys operators and pedestrians

Other Options Available

Additional options are available. Please contact your local Crown dealer for further information.

Dimensions and performance data given may vary due to manufacturing tolerances. Performance is based on an average size vehicle and is affected by weight, condition of vehicle, how it is equipped and the conditions of the operating area. Products and specifications are subject to change without notice.



You can count on Crown to build lift trucks designed for safe operation, but that's only part of the safety equation. Crown encourages safe operating practices through ongoing operator training, safety-focused supervision, maintenance and a safe working environment. Go to crown.com and view our safety section to learn more.

Crown Equipment Corporation

New Bremen, Ohio 45869 USA

Tel 419-629-2311

Fax 419-629-3796

crown.com

Because Crown is continually improving its products, specifications are subject to change without notice.

Crown, the Crown logo, the color beige, the Momentum symbol, Access 1 2 3, InfoLink, Work Assist, FlexSeat, Intrinsic Stability System and eSmart are trademarks of Crown Equipment Corporation. Other trademarks are owned by their manufacturers.

Copyright 2009-2014 Crown Equipment Corporation SF18358 Rev. 07-14 Printed in U.S.A.