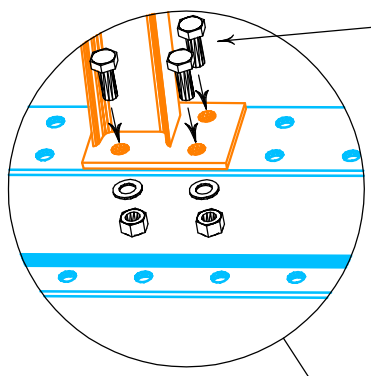
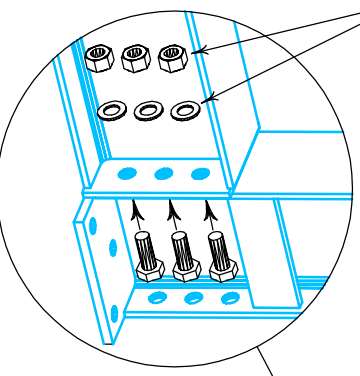


**ATTACH PIPESTOPS USING
1 - 1/2" x 1 1/2" HHCS
& WHIZ NUT PER ARM**



**REFERENCE #B
4 - BOLTS, NUTS &
WASHERS PER ARM**

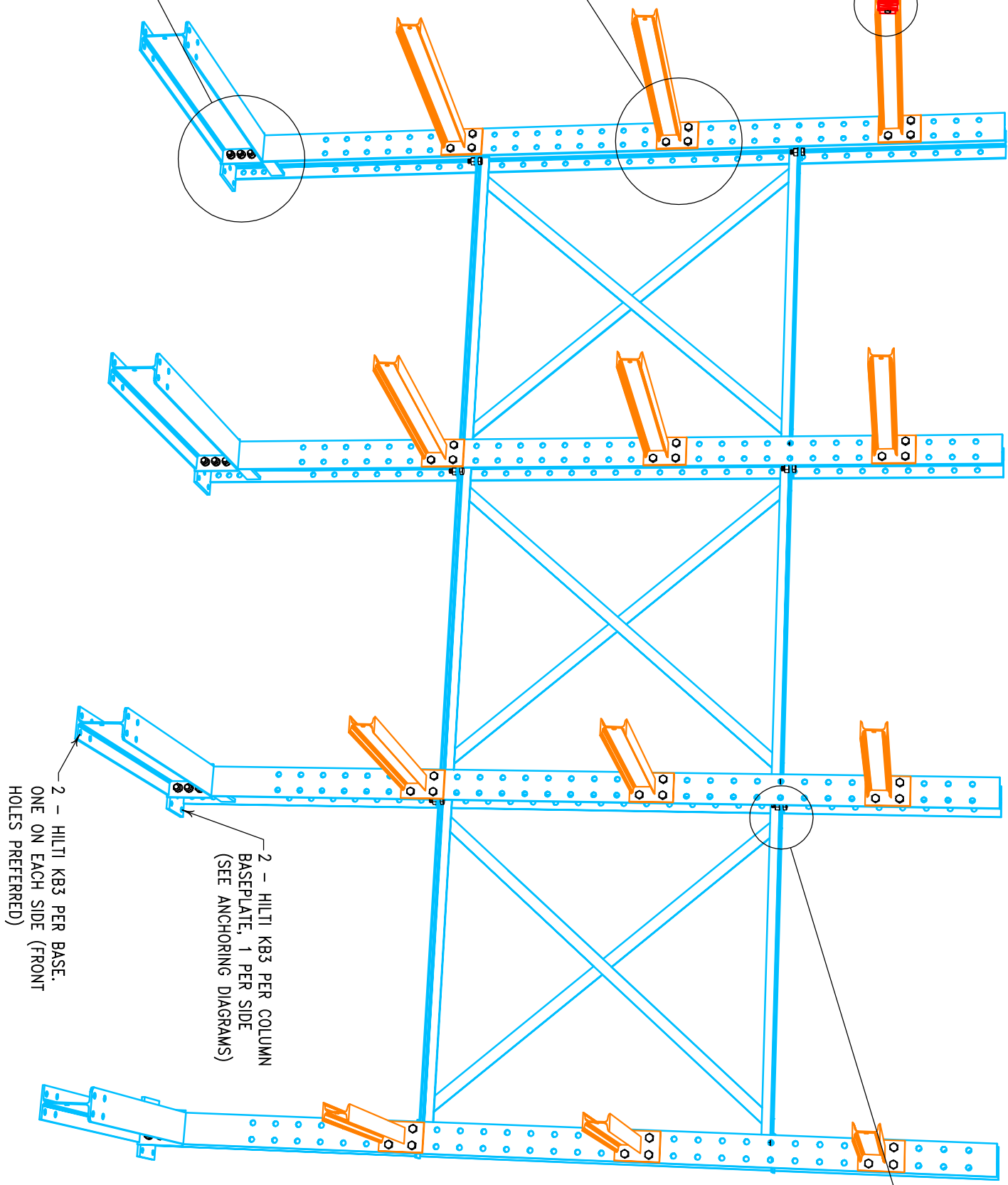
PLACE BOLT HEAD ON
THIS SIDE OF COLUMN



PLACE NUT & WASHER ON
THIS SIDE OF COLUMN

REFERENCE #A

- 4 - BN&W PER 6" DEEP BASE
- 6 - BN&W PER 8" DEEP BASE
- 8 - BN&W PER 10" DEEP BASE

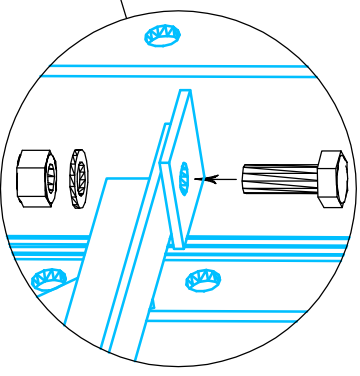


2 - HILTI KB3 PER COLUMN
BASEPLATE. 1 PER SIDE
(SEE ANCHORING DIAGRAMS)

2 - HILTI KB3 PER BASE.
ONE ON EACH SIDE (FRONT
HOLES PREFERRED)

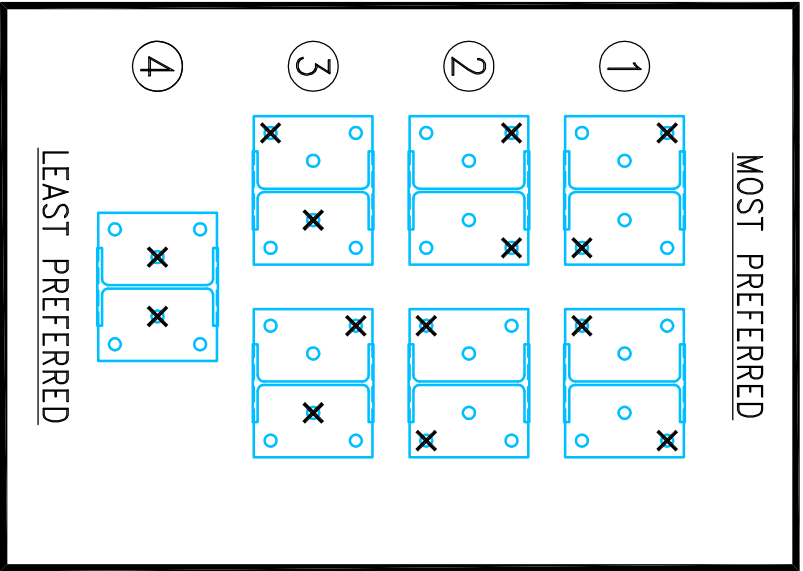
**MINIMUM ANCHORING REQUIREMENTS
UNLESS NOTED OTHERWISE ON SITE SPECIFIC DRAWING**

**ANCHOR COMPONENTS WITH 3/4" x 5 1/2" HILTI KB3 ANCHORS AS INDICATED
AND INSTALL AS PER HILTI ANCHOR INSTALLATION INSTRUCTIONS**



**REFERENCE #C
4 - BOLTS, NUTS &
WASHERS PER X-BRACE**

**BOLT ALL COMPONENTS WITH A325
3/4" x 2" BOLT, NUT AND WASHER
AS INDICATED AND TORQUE TO
250 FTX.LBS. TORQUE MUST BE
CHECKED ON THE NUT & WASHER
END ONLY.**



ANCHORING DIAGRAMS

**NOTE: IF ANCHORING ISSUES ARISE, CONTACT YOUR
ARFAC REPRESENTATIVE AT #604-940-4000.**